



Uninorm

Control panel mounting enclosure acc. to DIN IEC 61554

- 36 sizes
- Fixing with screw or spring clamps
- Connecting piece for standard retaining clasps in accordance with DIN 43835 form B
- Comprehensive range of accessories



Colour	Black, similar to RAL 9005; special colours on request
Protection class	IP 40 up to IP 65/DIN EN 60529, depending on the design
Enclosure material	Modified PPE+PS (SE1 GFN1); for details see Technical Information

Different fixing systems allow optimal mounting in the switch cabinet or control panel. The accessory parts can be used to define different methods of access. With the flexible transparent PVC hoods, push-buttons and switches can be operated through the hood and – depending on the method of mounting – are protected up to IP 65.



Uninorm control panel mounting enclosure acc. to DIN IEC 61554

Control panel mounting enclosure



Model	Order no.	A	B	C	a1	b1	c1
NGS 4806	17480601	48	48	63	38,8	38,8	56,5
NGS 4808	17480801*	48	48	85	38,8	38,8	78,5
NGS 4810	17481001	48	48	109,5	38,8	38,8	103
NGS 4811	17481101*	48	48	119	38,8	38,8	112,5
NGS 4813	17481301*	48	48	141	38,8	38,8	134,5
NGS 7406	17740601	144	72	64	131,5	61,5	56
NGS 7408	17740801	144	72	86	131,5	61,5	78,5
NGS 7410	17741001	144	72	110,5	131,5	61,5	103
NGS 7411	17741101	144	72	120	131,5	61,5	112,5
NGS 7413	17741301	144	72	142	131,5	61,5	134,5
NGS 7416	17741601	144	72	166,5	131,5	61,5	159
NGS 7706	17770601	72	72	63	61,5	61,5	56,5
NGS 7708	17770801*	72	72	85	61,5	61,5	78,5
NGS 7710	17771001	72	72	109,5	61,5	61,5	103
NGS 7711	17771101*	72	72	119	61,5	61,5	112,5
NGS 7713	17771301*	72	72	141	61,5	61,5	134,5
NGS 7716	17771601*	72	72	165,5	61,5	61,5	159
NGS 9406	17940601	96	48	63	86,2	38,8	56,5
NGS 9408	17940801	96	48	85	86,2	38,8	78,5
NGS 9410	17941001	96	48	109,5	86,2	38,8	103
NGS 9411	17941101	96	48	119	86,2	38,8	112,5
NGS 9413	17941301	96	48	141	86,2	38,8	134,5
NGS 9416	17941601	96	48	165,5	86,2	38,8	159
NGS 9606	17960601	96	96	63	86,2	86,2	56,5
NGS 9608	17960801	96	96	85	86,2	86,2	78,5
NGS 9610	17961001	96	96	109,5	86,2	86,2	103
NGS 9611	17961101	96	96	119	86,2	86,2	112,5
NGS 9613	17961301	96	96	141	86,2	86,2	134,5
NGS 9616	17961601	96	96	165,5	86,2	86,2	159
NGS 9806	17980601	144	144	64	131,5	131,5	56,5
NGS 9808	17980801	144	144	85	131,5	131,5	78,5
NGS 9810	17981001	144	144	110,5	131,5	131,5	103
NGS 9811	17981101	144	144	120	131,5	131,5	112,5
NGS 9813	17981301	144	144	142	131,5	131,5	134,5
NGS 9816	17981601	144	144	166,5	131,5	131,5	159
NGS 9806 GR	17980605*	144	144	165,5	131	131	66,2

Scope of delivery:

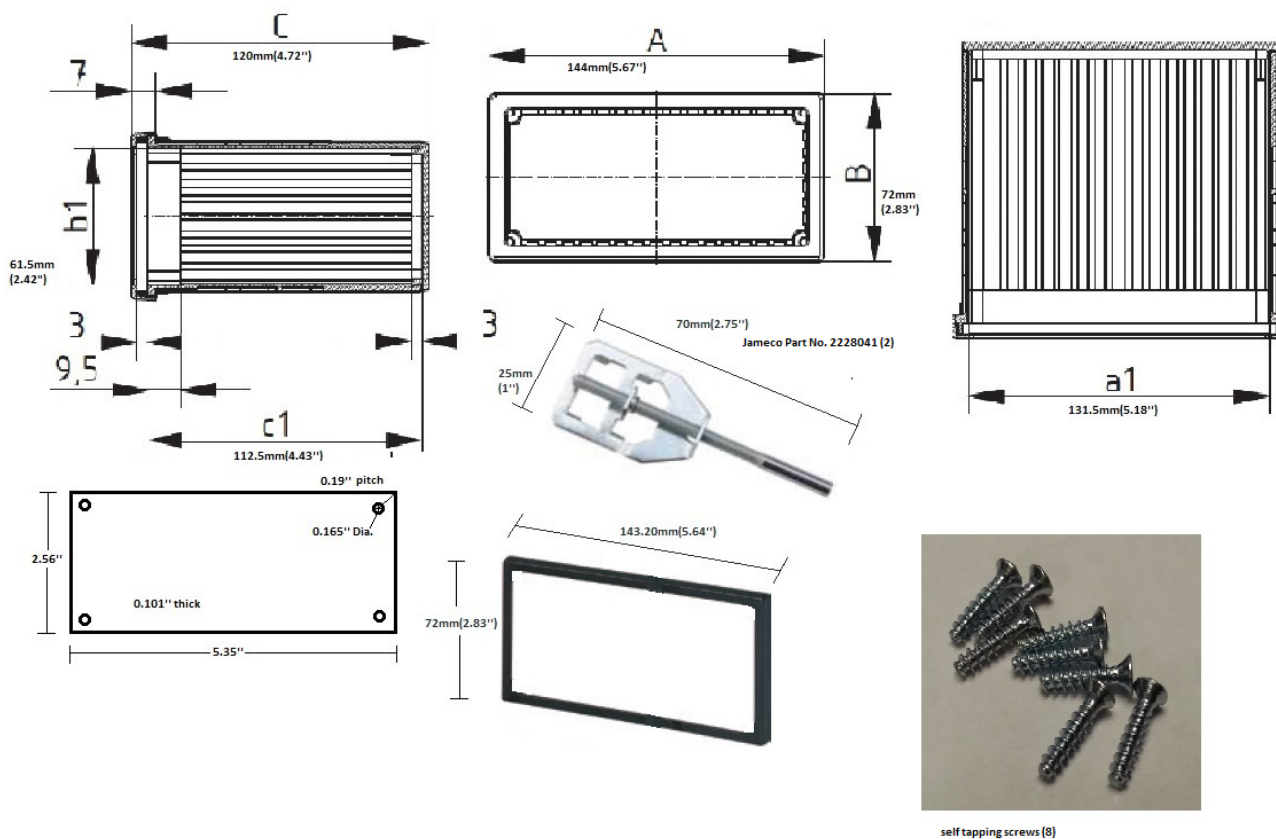
NGS...: Enclosure, standard front frame, rear lid, screws

NGS 9806-GR: Enclosure, standard front frame, 2 clamps

Note: * = Available on request. See following pages for accessories.

NGS-9806-GR design with stepped rear panel.

Uninorm control panel mounting enclosure acc. to DIN IEC 61554



Uniform accessories



Spring clamp for fixing enclosure

Model	Order no.
NGS-NF	37005000

Scope of delivery: 2 pieces

Note: The spring clamp is snapped onto the external wall of the enclosure and then, with the enclosure, clamped into the control panel cut-out.



Screw clamp for screw-fitting enclosure

Model	Order no.
NGS-NK	37003000

Scope of delivery: 2 pieces

Note: The screw clamp is placed on the enclosure from the rear of the control panel. After this, the enclosure is pressed firmly onto the wall of the control panel by means of the integrated screw.



Connecting piece for insertion of standard retaining clasps acc. to DIN 43835

Model	Order no.
NGS-ZE	37004000

Scope of delivery: 2 pieces



Standard retaining clasp in accordance with DIN 43835 form B (only for use with NGS-ZE)

Model	Order no.
NGS-NH	37001000

Scope of delivery: 2 pieces



Front panels, natural-coloured anodised aluminium

Model	Order no.	Note
NGS 48 FAE	37000050	For NGS 48..
NGS 74 FAE	37000200	For NGS 74..
NGS 77 FAE	37000100	For NGS 77..
NGS 94 FAE	37000300	For NGS 94..
NGS 96 FAE	37000400	For NGS 96..
NGS 98 FAE	37000500	For NGS 98..
NGS 98 FAE	37000510*	For NGS 9806-GR

Scope of delivery: 1 front panel

Note: The 1.5 mm thick aluminium front panel can be sealed towards the enclosure by means of the NGS...DI seal. Take panel bending into account.

* = Available on request

Uniform accessories

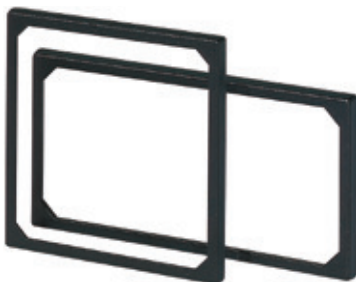


Front lid with continuous membrane keypad, snaps firmly on

Model	Order no.	Note
NGS 48 F	37948500*	For NGS 48..
NGS 74 F	37974500	For NGS 74..
NGS 77 F	37977500	For NGS 77..
NGS 94 F	37994500	For NGS 94..
NGS 96 F	37996500	For NGS 96..
NGS 98 F	37998500	For NGS 98.., for NGS 9806-GR

Scope of delivery: 1 membrane front

Note: * = Available on request



Front frame with screw covers, snaps firmly on

Model	Order no.	Note
NGS 48 SA	37948600	For NGS 48..
NGS 74 SA	37974600	For NGS 74..
NGS 77 SA	37977600	For NGS 77..
NGS 94 SA	37994600	For NGS 94..
NGS 96 SA	37996600	For NGS 96..
NGS 98 SA	37998600	For NGS 98.., for NGS 9806-GR

Scope of delivery: 1 front frame



Crystal-clear hood, snap-on

Model	Order no.	Note
NGS 48 AH	37948700*	For NGS 48..
NGS 74 AH	37974700*	For NGS 74..
NGS 77 AH	37977700*	For NGS 77..
NGS 94 AH	37994700*	For NGS 94..
NGS 96 AH	37996700*	For NGS 96..
NGS 98 AH	37998700*	For NGS 98.., for NGS 9806-GR

Scope of delivery: 1 hood

Note: Can be used only in connection with membrane front NGS...F and front frame NGS...SA.

* = Available on request