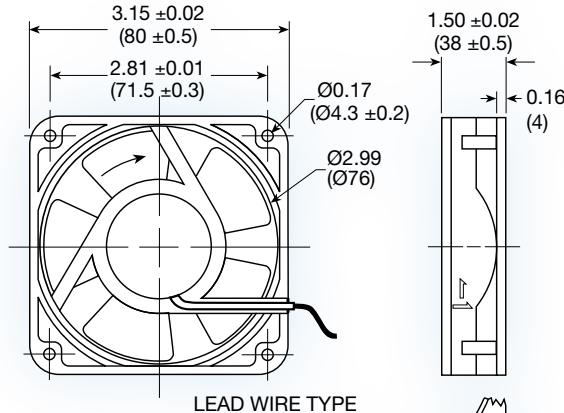
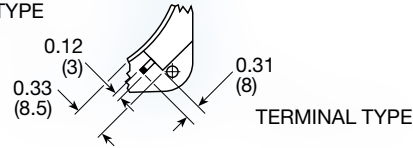


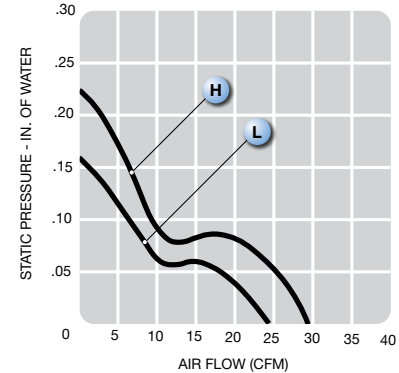
UF80A series



LEAD WIRE TYPE



TERMINAL TYPE



(80 x 80 x 38 mm)
3.15 x 3.15 x 1.5 inches

Operating voltage: 115 or 230 VAC

Construction: aluminum die cast frame;
UL94V-0 PBT impeller

Bearing option: ball bearing or sintered bronze
sleeve

Motor: shaded pole

Air Flow: exhaust over struts

Connection: terminal or 22 AWG lead wire

Protection: impedance

Option: dual voltage 115/130VAC

Model No.	Rated Voltage V	Freq. HZ	Input Power W	Rated Cur. A	Locked Cur. A	Speed RPM	Air Volume		Max. Static Pressure (H ₂ O)		Sound Noise dba	Weight kg
							M ³ /Min.	CFM	MM	INCH		
UF80A12-__H	115	60	9	0.12	0.13	3,000	0.83	30	5.5	0.22	36	0.28
UF80A23-__H	230	60	12	0.06	0.07	3,000	0.83	30	5.5	0.22	36	0.28
UF80A12-__L	115	60	9	0.10	0.11	2,400	0.70	25	4.0	0.16	32	0.28
UF80A23-__L	230	60	12	0.05	0.06	2,400	0.70	25	4.0	0.16	32	0.28

