

Distributed by:

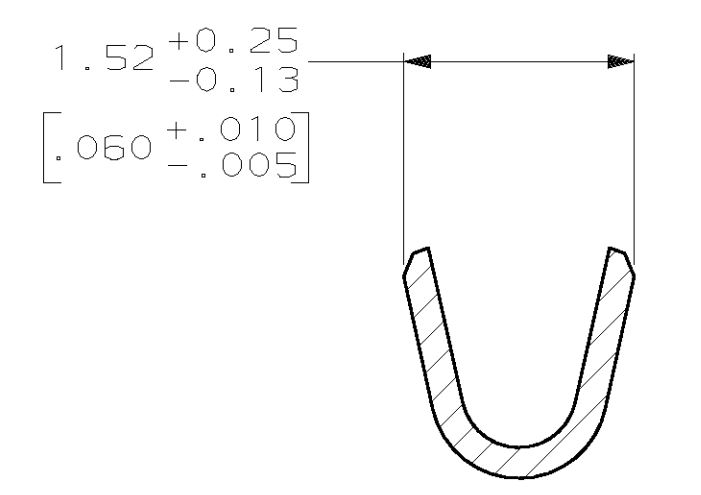
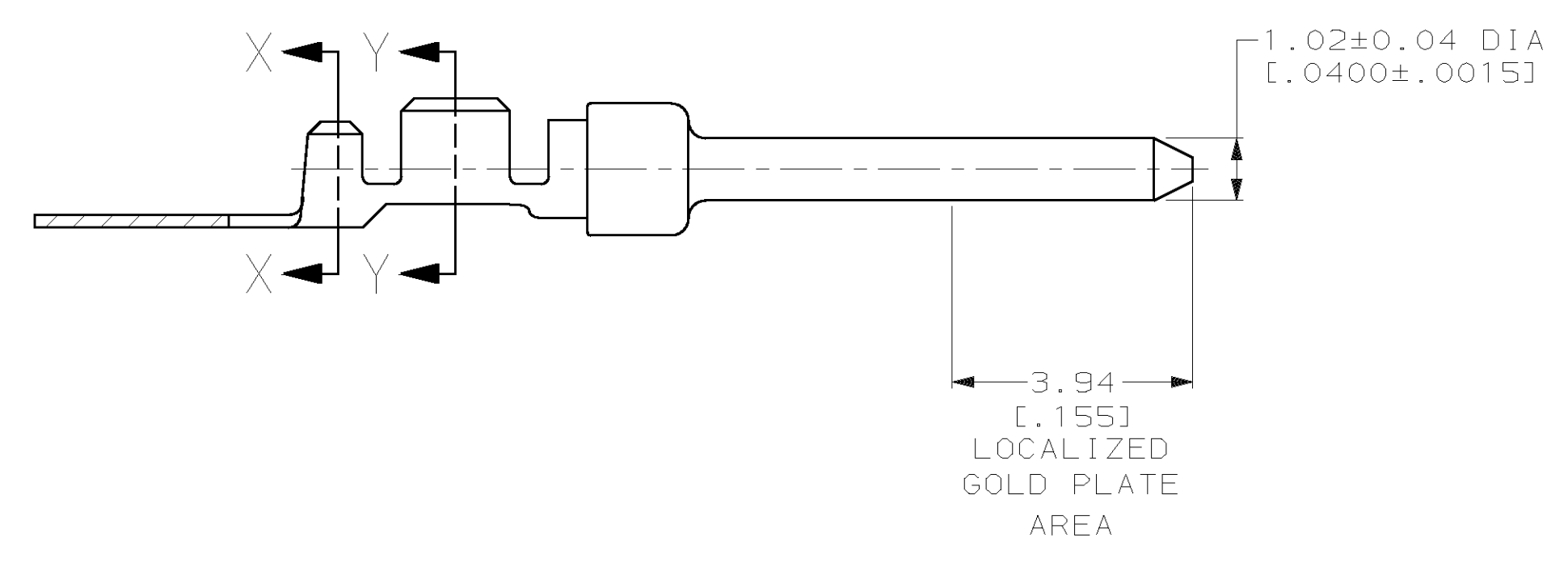
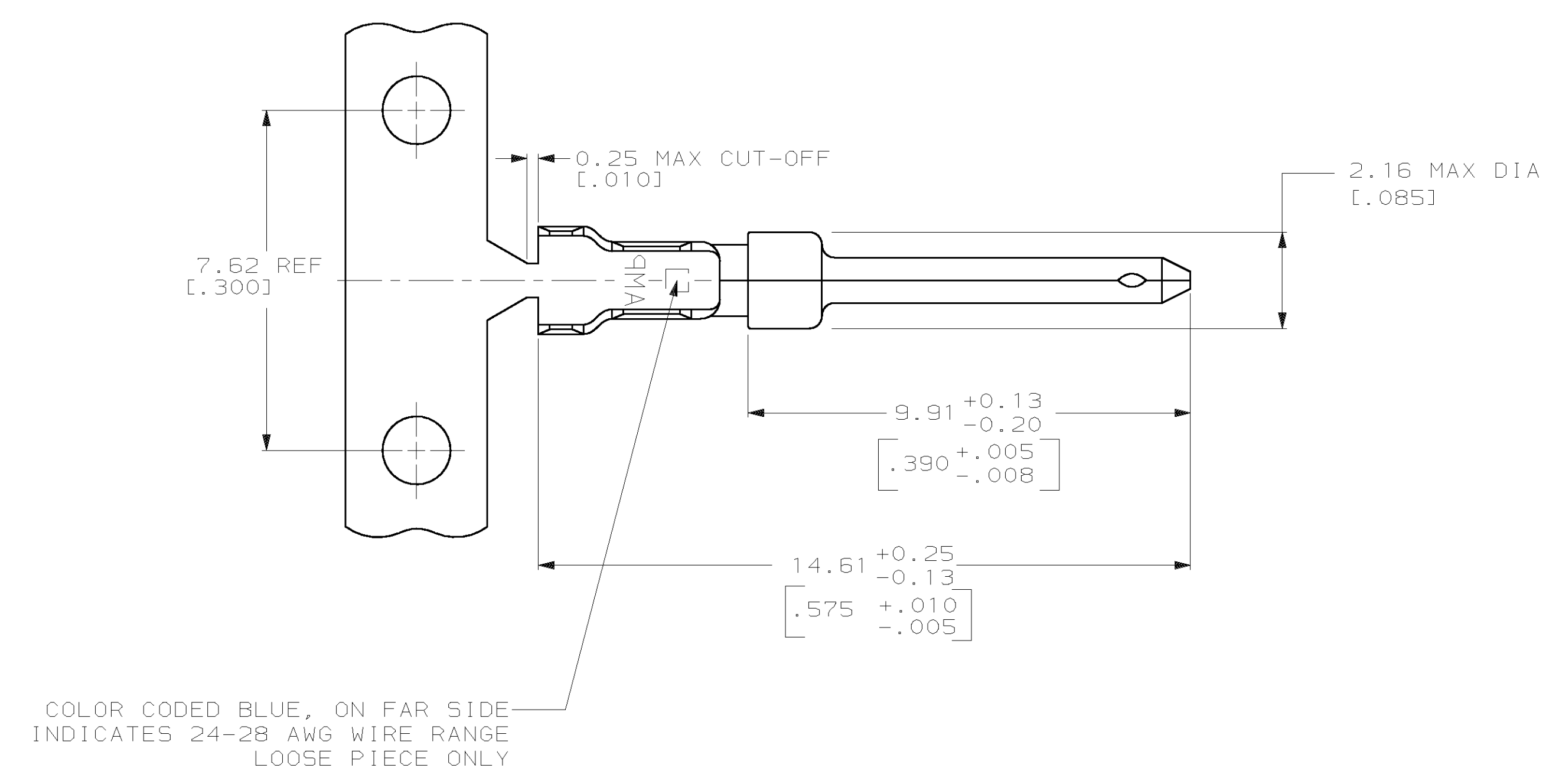
**JAMECO**<sup>®</sup>  
ELECTRONICS

**www.Jameco.com ♦ 1-800-831-4242**

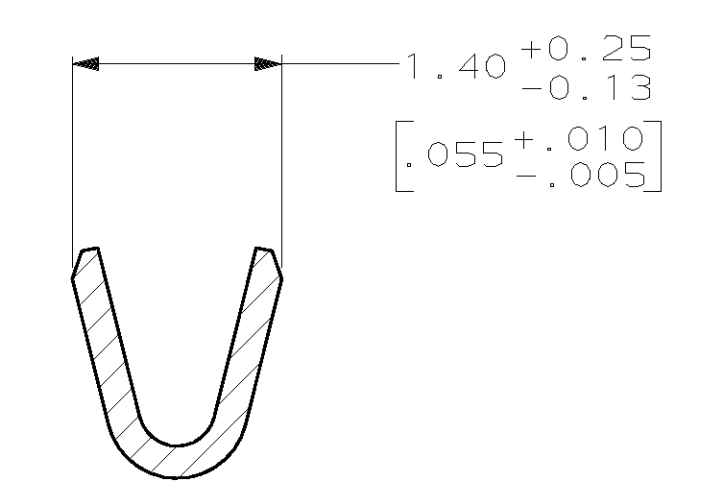
The content and copyrights of the attached  
material are the property of its owner.

**Jameco Part Number 223108**

LOC	DIST	REV	DESCRIPTION	DATE	OWN	APVD
GP	00					
		AF	OBSOLETE -12 & REDRAWN ON CAD PER EC 0420-143-96	27 OCT 97	TS	SB
		AG	REV PER EC 0420-163-97	09 FEB 98	BC	PR
		AH	REV PER EC 0640-27-98	22 JUN 98	PB	JK
		AJ	REV PER EC 0640-441-98	18 MAR 99	DB	RT
		AK	REV PER EC 001D-0161-00	28 AUG 00	DB	JK
		AL	OBSOLETE -14 AND REV PER EC 001D-0248-00	25 OCT 00	DB	JK
		AM	REV PER EC 001D-0260-00	12 SEP 01	JR	JG
		AN	REV PER EC 00EQ-0002-01	09 JAN 02	JR	JG



SECTION X-X  
INSULATION BARREL  
SCALE 20:1



SECTION Y-Y  
WIRE BARREL  
SCALE 20:1

- △ FOR MINI-APPLICATOR AND STRIPPER CRIMPER.
- △ FOR HAND TOOL USE ONLY.
- △ FOR STANDARD APPLICATOR PART #566184 ONLY.
- 4. WIRE RANGE OF 24-28, INSULATION RANGE OF .030-.040.
- 5. GOLD PLATING MAY NOT APPEAR ON CARRIER STRIP.
- △ GOLD PLATING PER MIL-G-45204, NICKEL PLATING PER QQ-N-290, TIN PLATING PER MIL-T-10727, COPPER PLATING PER MIL-C-14550.
- △ PLATED, 1.27µm [.000050] GOLD OVER 1.27µm [.000050] NICKEL.
- △ GOLD PLATED IN LOCALIZED GOLD PLATED AREA, 0.76µm [.000030] GOLD IN MATED AREA, GOLD FLASH ON REMAINDER, OVER 1.27µm [.000050] NICKEL.
- △ PLATED WITH GOLD FLASH OVER 0.76µm [.000030] NICKEL.
- △ PLATED WITH 2.54µm-5.08µm [.000100-.000200] TIN.
- △ PLATED WITH 1.27µm [.000050] GOLD IN LOCALIZED GOLD PLATE AREA, GOLD FLASH ON REMAINDER, OVER 1.27µm [.000050] NICKEL.
- △ GOLD PLATED IN LOCALIZED GOLD PLATED AREA, 0.76µm [.000030] GOLD IN MATED AREA, TIN PLATED WIRE BARRELS, OVER 1.27µm [.000050] NICKEL.
- △ PLATED WITH GOLD FLASH IN LOCALIZED GOLD PLATE AREA, TIN PLATED WIRE BARRELS, OVER 0.76µm [.000030] NICKEL.
- △ GOLD PLATED IN LOCALIZED GOLD PLATED AREA, 0.38µm [.000015] GOLD IN MATED AREA, GOLD FLASH ON REMAINDER, OVER 1.27µm [.000050] NICKEL.
- △ AMP ITALY PART NUMBER ONLY.
- △ GOLD PLATED IN LOCALIZED GOLD PLATED AREA, 0.03µm [.000001] GOLD IN MATED AREA, 0.76µm [.000030] MIN TIN OR TIN-LEAD ON WIRE BARRELS, ALL OVER 0.76µm [.000030] MIN NICKEL.

STANDARD	△	△	STRIP	6-66507-3
STANDARD	△	△	STRIP	6-66507-2
STANDARD	△	△	LOOSE PIECE	5-66507-9
STANDARD	△	△	LOOSE PIECE	5-66507-7
STANDARD	△	△	STRIP	3-66507-1
STANDARD	△	△	STRIP	3-66507-0
STANDARD	△	△	STRIP	2-66507-8
STANDARD	△	△	STRIP	2-66507-7
STANDARD	△	△	STRIP	1-66507-4
STANDARD	△	△	LOOSE PIECE	1-66507-0
STANDARD	△	△	LOOSE PIECE	66507-9
STANDARD	△	△	LOOSE PIECE	66507-8
STANDARD	△	△	STRIP	66507-4
STANDARD	△	△	STRIP	66507-3
STANDARD	△	△	STRIP	66507-2

OBsolete

SUPERSEDED BY 66507-9

PACKAGING TYPE	FINISH	USE	TYPE	PART NUMBER

THIS DRAWING IS A CONTROLLED DOCUMENT.

DWN: S. WELDON 9-9-86  
 CHK: C. RICHARD 9-9-86  
 APVD: V. KLIMAR 9-10-86

AMP Incorporated  
 Harrisburg, PA 17105-3608

PRODUCT SPEC: PIN CONTACT, SIZE 20 DF, 24-28 AWG, AMPLIMITE

APPLICATION SPEC: 114-10000

SIZE: A1 00779 66507

MATERIAL: BRASS PER MIL-C-50  
 FINISH: SEE TABLE

WEIGHT: -

CUSTOMER DRAWING

SCALE: 10:1 SHEET 1 OF 1 REV AN