

Distributed by:

JAMECO[®]
ELECTRONICS

www.Jameco.com ♦ 1-800-831-4242

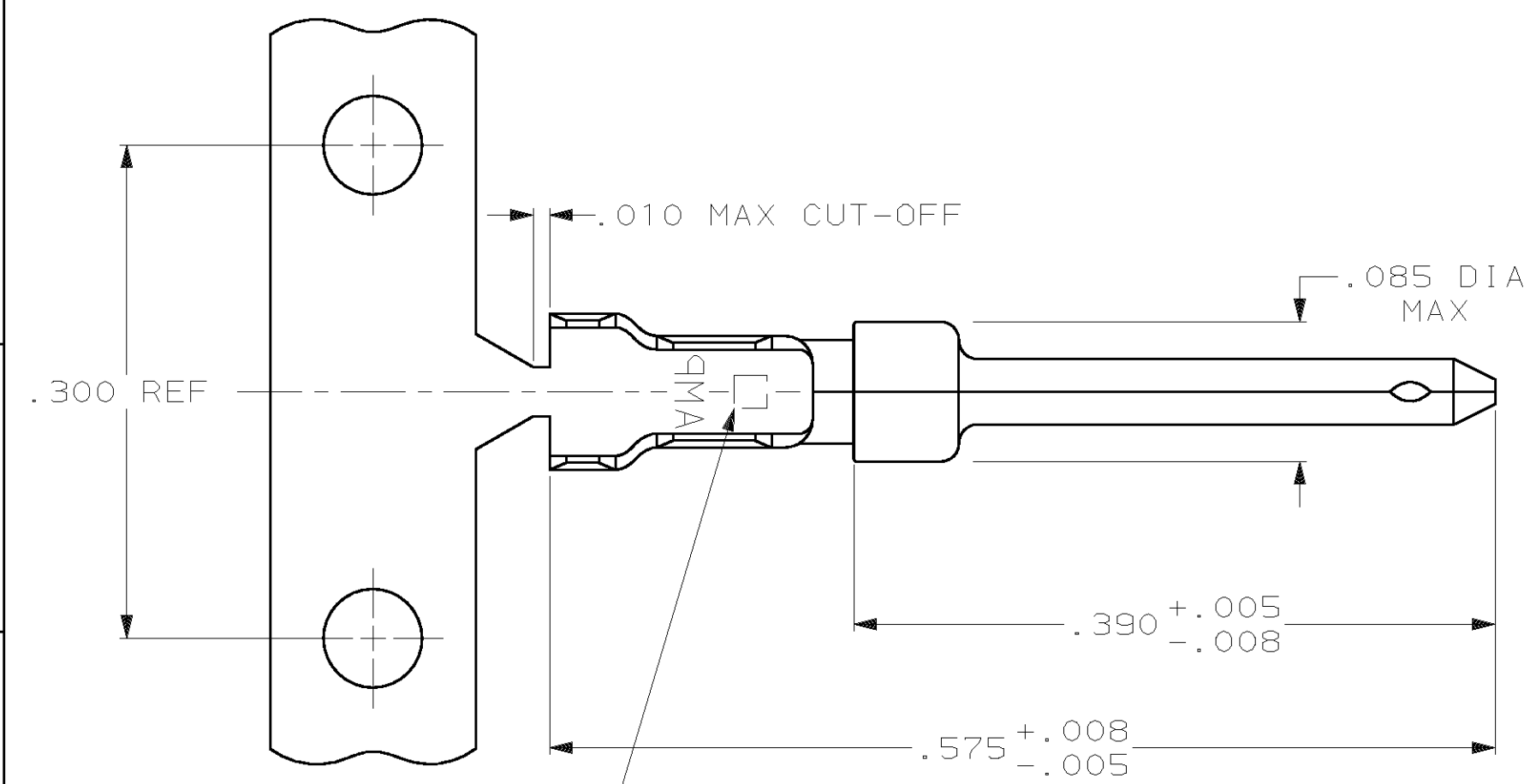
The content and copyrights of the attached
material are the property of its owner.

Jameco Part Number 223141

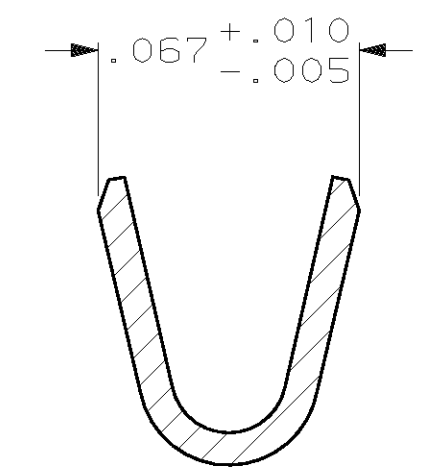
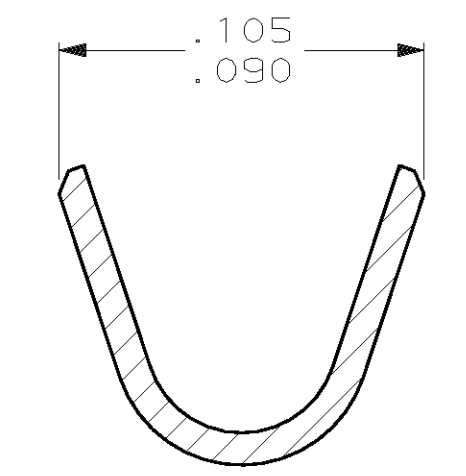
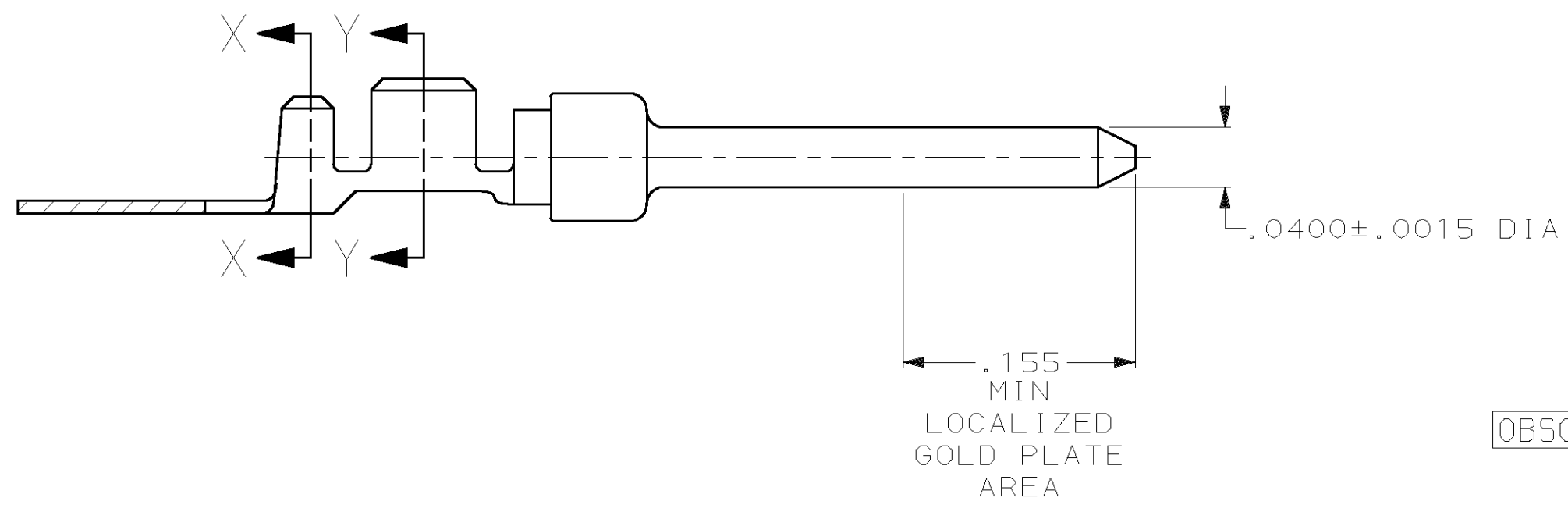
THIS DRAWING IS UNPUBLISHED. RELEASED FOR PUBLICATION ,19 .
 © COPYRIGHT 19 BY AMP INCORPORATED, HARRISBURG, PA. ALL INTERNATIONAL RIGHTS RESERVED. AMP PRODUCTS MAY BE COVERED BY U.S. AND FOREIGN PATENTS AND/OR PATENTS PENDING.

LOC DIST
BD 48

REVISIONS					
ZONE	LTR	DESCRIPTION	DATE	APPD	
	A	REVISED & REDRAWN ECN-1606	7-28-86	-	
	A1	ADDED 1--7 PER NPR 4837	06/15/93	SB	
	B	REV PER EC 0420-0036-96	14 OCT 96	PF	
	C	OBS -17 PER EC 0420-141-96	18 SEPT 97	SB	
	D	REV PER EC 0420-163-97	09 FEB 98	PR	
	E	REV PER EC 0640-27-98	22 JUN 98	JK	
	F	REV PER EC 0640-102-99	01 MAR 99	JK	
	G	REV PER EC 0640-441-98	18 MAR 99	RT	



- 1 FOR MINI-APPLICATOR.
- 2 FOR HAND TOOL USE ONLY.
- 3. WIRE RANGE OF 22-26, INSULATION RANGE OF .040-.050.
- 4. GOLD PLATING MAY NOT APPEAR ON CARRIER STRIP.
- 5 GOLD PLATING PER MIL-G-45204, NICKEL PLATING PER QQ-N-290, TIN PLATING PER MIL-T-10727.
- 6 GOLD PLATED IN LOCALIZED GOLD PLATED AREA, .000030 GOLD IN MATED AREA, GOLD FLASH ON REMAINDER, OVER .000050 NICKEL.
- 7 0.025µm [.000001] MIN GOLD OVER .000030 NICKEL.
- 8 GOLD PLATED IN LOCALIZED GOLD PLATED AREA, 0.025µm [.000001] MIN GOLD IN MATED AREA, TIN PLATED WIRE BARRELS, OVER .000030 NICKEL.
- 9 GOLD PLATED IN LOCALIZED GOLD PLATED AREA, .000030 GOLD IN MATED AREA, TIN PLATED WIRE BARRELS, OVER .000050 NICKEL.



PACKAGING TYPE	FINISH	USE	TYPE	PART NUMBER
OBsolete			LOOSE PIECE	1-745254-7
STANDARD			LOOSE PIECE	1-745254-6
STANDARD			STRIP	1-745254-4
STANDARD			LOOSE PIECE	1-745254-3
STANDARD			STRIP	1-745254-1
STANDARD			LOOSE PIECE	745254-7
STANDARD			LOOSE PIECE	745254-6
STANDARD			STRIP	745254-3
STANDARD			STRIP	745254-2

UNLESS OTHERWISE SPECIFIED DIMENSIONS ARE IN INCHES TOLERANCES ON : 2 PL DEC ± - 3 PL DEC ± .005 ANGLES ± -	DR 9-9-86 S.WELDON	AMP INCORPORATED Harrisburg, Pa. 17105		
	CHK 9-9-86 C.RICHARD			
MATERIAL BRASS PER MIL-C-50	APPD 9-10-86 L.BREKOSKY	NAME PIN CONTACT, SIZE 20 DF, 22-26 AWG, W/.040-.050 DIA INSULATION SUPPORT		
	APPD 9-10-86 V.KUMAR			
FINISH 5 SEE TABLE	PRODUCT SPEC -	SIZE C	FSCM NO 00779	DRAWING NO 745254
	APPLICATION SPEC 114-10000	SCALE 10:1	SHEET 1 OF 1	
WEIGHT -				