

Distributed by:

JAMECO[®]
ELECTRONICS

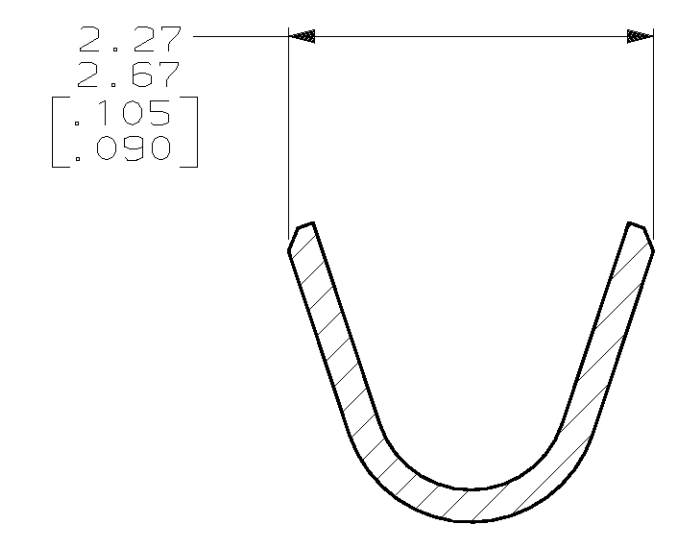
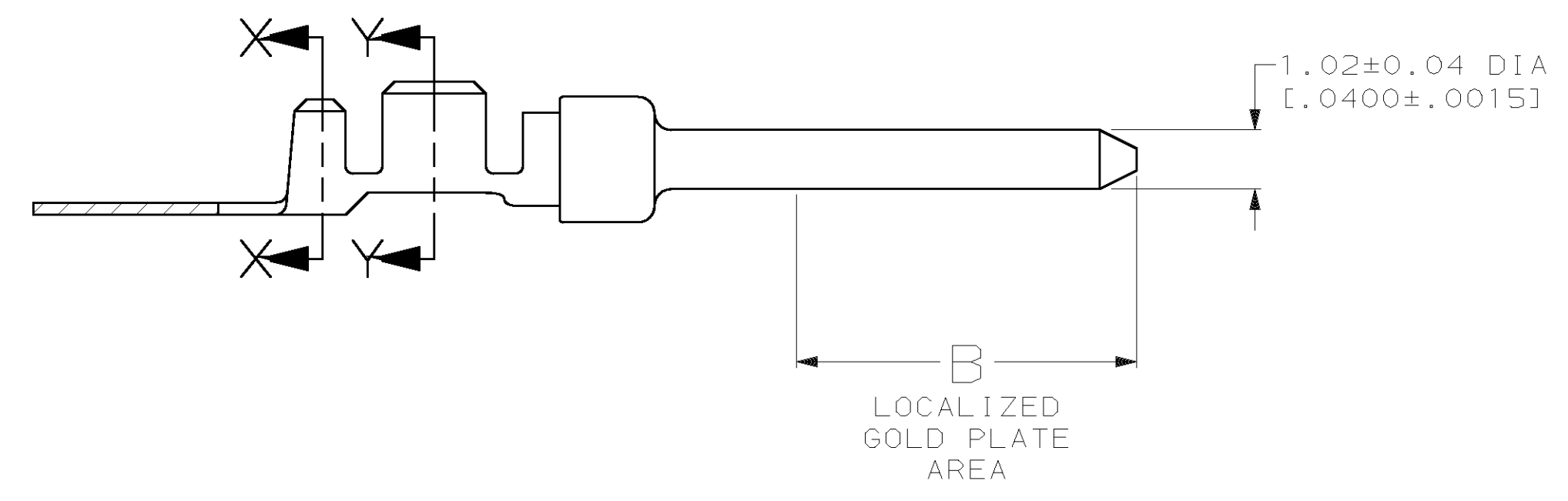
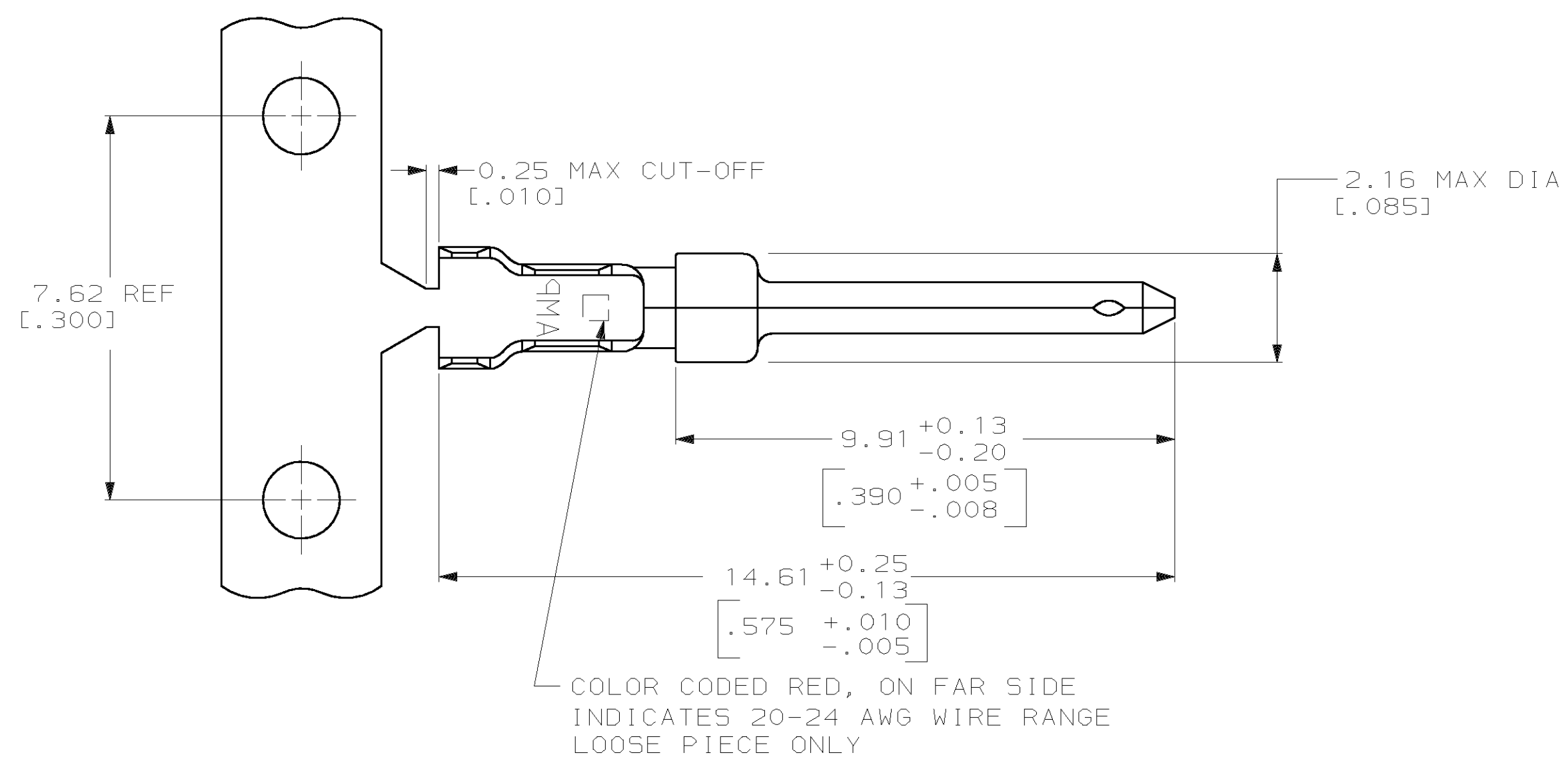
www.Jameco.com ♦ 1-800-831-4242

The content and copyrights of the attached
material are the property of its owner.

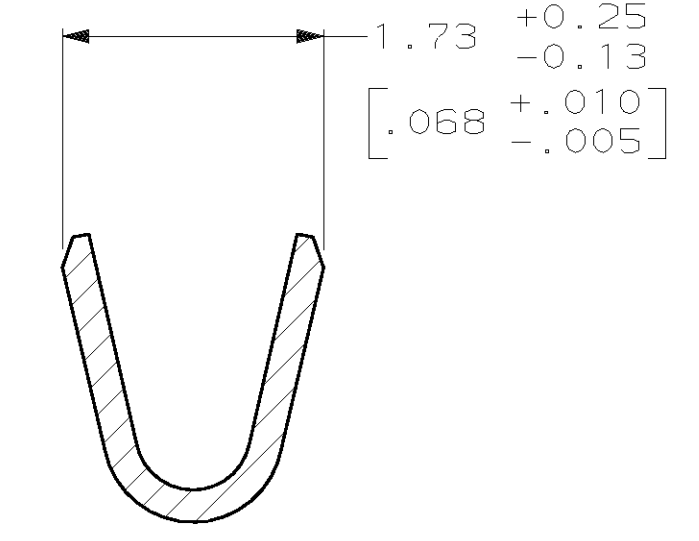
Jameco Part Number 223167

LOC	DIST	REV	DATE	BY	CHK	APVD
GP	00	AM	09 JAN 02	JR	JG	

- 1. FOR MINI-APPLICATOR AND STRIPPER CRIMPER.
- 2. FOR HAND TOOL USE ONLY.
- 3. FOR STANDARD APPLICATOR PART #566171 ONLY.
- 4. WIRE RANGE OF 20-24 AWG. INSULATION RANGE OF 1.27/1.52 [.050-.060].
- 5. GOLD PLATING MAY NOT APPEAR ON CARRIER STRIP.
- 6. GOLD PLATING PER MIL-G-45204, NICKEL PLATING PER QQ-N-290, TIN PLATING PER MIL-T-10727, COPPER PLATING PER MIL-C-14550.
- 7. PLATED, 1.27µm [.000050] GOLD OVER 1.27µm [.000050] NICKEL.
- 8. GOLD PLATED IN LOCALIZED GOLD PLATED AREA, 0.76µm [.000030] GOLD IN MATED AREA, GOLD FLASH ON REMAINDER, OVER 1.27µm [.000050] NICKEL.
- 9. PLATED WITH GOLD FLASH OVER 0.76µm [.000030] NICKEL.
- 10. PLATED WITH 2.54µm - 5.08µm [.000100 - .000200] TIN.
- 11. GOLD PLATED IN LOCALIZED GOLD PLATED AREA, 0.76µm [.000030] GOLD IN MATED AREA, TIN PLATED WIRE BARRELS, OVER 1.27µm [.000050] NICKEL.
- 12. PLATED WITH GOLD FLASH IN LOCALIZED GOLD PLATE AREA, TIN PLATED WIRE BARRELS, OVER 0.76µm [.000030] NICKEL.
- 13. GOLD PLATED IN LOCALIZED GOLD PLATE AREA, 0.38µm [.000015] GOLD IN MATED AREA, GOLD FLASH ON REMAINDER, OVER 1.27µm [.000050] NICKEL.
- 14. AMP ITALY PART NUMBER ONLY.
- 15. GOLD PLATED IN LOCALIZED GOLD PLATE AREA, 1.27µm [.000050] GOLD IN MATED AREA, GOLD FLASH ON REMAINDER, OVER 1.27µm [.000050] NICKEL.
- 16. GOLD PLATED IN LOCALIZED GOLD PLATE AREA, 0.03µm [.000001] GOLD IN MATED AREA, 0.76µm [.000030] MIN TIN PLATED WIRE BARRELS, ALL OVER 0.76µm [.000030] MIN NICKEL.
- 17. GOLD FLASH IN LOCALIZED GOLD PLATE AREA, 2.54µm [.000100] MIN TIN OR TIN-LEAD PLATED WIRE BARRELS, ALL OVER 0.76µm [.000030] MIN NICKEL.



SECTION X-X
 INSULATION BARREL
 SCALE 20:1



SECTION Y-Y
 WIRE BARREL
 SCALE 20:1

SUPERSEDED BY	TYPE	LENGTH	FINISH	USE	TYPE	PART NUMBER
2-66506-5	STANDARD	5.84 [.230]	17	1	STRIP	6-66506-4
OBsolete	STANDARD	3.94 [.155]	11	3	STRIP	6-66506-3
	STANDARD	3.94 [.155]	16	1	STRIP	6-66506-2
	SMALL PACK	3.94 [.155]	8	2	LOOSE PIECE	6-66506-1
OBsolete	STANDARD	3.94 [.155]	15	1	STRIP	6-66506-0
	STANDARD	3.94 [.155]	12	2	LOOSE PIECE	5-66506-9
	STANDARD	3.94 [.155]	11	2	LOOSE PIECE	5-66506-7
	STANDARD	3.94 [.155]	12	1	STRIP	2-66506-5
	STANDARD	3.94 [.155]	11	1	STRIP	2-66506-4
OBsolete	STANDARD	-	10	1	STRIP	1-66506-4
OBsolete	STANDARD	-	7	3	STRIP	1-66506-1
	STANDARD	-	9	2	LOOSE PIECE	1-66506-0
	STANDARD	3.94 [.155]	8	2	LOOSE PIECE	66506-9
	STANDARD	-	7	2	LOOSE PIECE	66506-8
	STANDARD	-	9	1	STRIP	66506-4
	STANDARD	3.94 [.155]	8	1	STRIP	66506-3
	STANDARD	-	7	1	STRIP	66506-2
	PACKAGING TYPE	B	FINISH	USE	TYPE	PART NUMBER

THIS DRAWING IS A CONTROLLED DOCUMENT.

DWN: S. WELDON 9-9-86
 CHK: C. RICHARD 9-9-86
 APVD: V. KLIMAR 9-10-86

AMP Incorporated
 Harrisburg, PA 17105-3608

PRODUCT SPEC: PIN CONTACT, SIZE 20 DF, 20-24 AWG, AMPLIMITE

APPLICATION SPEC: 114-10000

SIZE: A1 00779 66506

SCALE: 10:1 SHEET: 1 OF 1 REV: AM