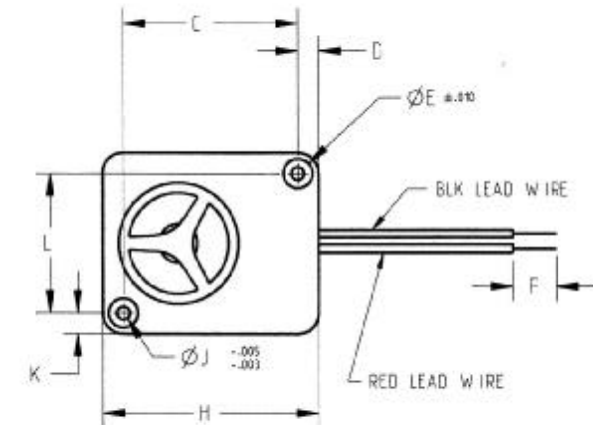
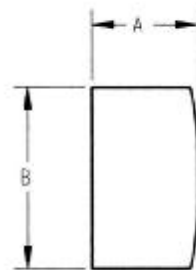


NOTES UNLESS OTHERWISE SPECIFIED:

- ① 1. SOURCE: 1) LIGHTAK ELECTRONICS CORP.  
2) MG ELECTRONICS
- ② 2. MUST COMPLY WITH ROHS DIRECTIVE 2002/95/EC OF THE EUROPEAN PARLIAMENT.  
REFERENCE DRAWING FOR THE LATEST ROHS COMPLIANCE REVISIONS.
- ③ 3. DIMENSIONS ARE FOR REFERENCE ONLY.

PART NO.	MANUFACTURER'S PART NUMBER	
	SOURCE 1	SOURCE 2
	LD-72	LD-72
DIM A	.906	.923
DIM B	1.535	1.548
DIM C	1.496	1.508
DIM D	.177	.189
DIM E	.250	.255
DIM F	.375	.375
DIM H	1.850	1.873
DIM J	.110	.126
DIM K	.177	.200
DIM L	1.181	1.159
DIM M	.906	.923
WIRE LENGTH +.50/- .00	3-3/16 (80mm)	2-15/16 (75mm)
OPERATING POWER	6V-14V DC	6V-15V DC
CURRENT	150mA (at 12VDC)	130mA (AT 12VDC)
SIREN OUTPUT	100 dB MIN (9V MEASURED AT 3 FT)	108 dB MIN (12VDC AT 30cm)



- SPECIFICATIONS FOR RED AND BLACK LEAD WIRE:
1. TYPE- UL STYLE 1007, CSA STYLE TR-64
  2. CONDUCTOR- 22 AWG (7/30), STRANDED TINNED COPPER AND TINNED OVERCOAT OF TOP COAT (BARE STRANDED-COATED WITH TINNED OVERALL)
  3. SIZE- NOMINAL WALL THICKNESS .016" (PVC INSULATION), NOMINAL O.D. .065"
  4. TEMPERATURE RATING- (-10°C TO 80°C)
  5. VOLTAGE RATING- 300 VOLTS

UNRELEASED PRINT  
CURRENT AS OF 2-19-08

REV	DATE	INT	DESCRIPTION	ECO
E	XXXX	ORS AER	ADD SOURCE 2 TO PRINT. CHANGE DIMENSIONING TO TABLE TYPE. CHANGE LIGHTAK WIRE LENGTH FROM 2-3/4 TO 3-3/16±3/8". ADD NOTE 3	16550
D	8/2/07	JRP AER	ADD NOTE 2	16335

<small>UNLESS OTHERWISE SPECIFIED DIMENSIONS ARE IN INCHES TOLERANCES ARE:</small>				<small>.X ±.020 ANG ±1°</small>	<small>SHEET 1 of 1</small>
<small>DATE</small> 1/20/95	<small>DWG BY</small> GL	<small>SCALE</small> NTS	<small>CHK BY</small> AER	<small>DATE</small> 1/20/95	<small>SIZE</small> B
<small>MATERIAL</small> -----				<small>HEAT TREAT</small> -----	
<small>FINISH</small> -----				<small>TITLE</small> SIREN	
<small>REVISIONS</small>				<small>PART NO.</small> SEE TABULATION	