

Distributed by:

**JAMECO**<sup>®</sup>  
ELECTRONICS

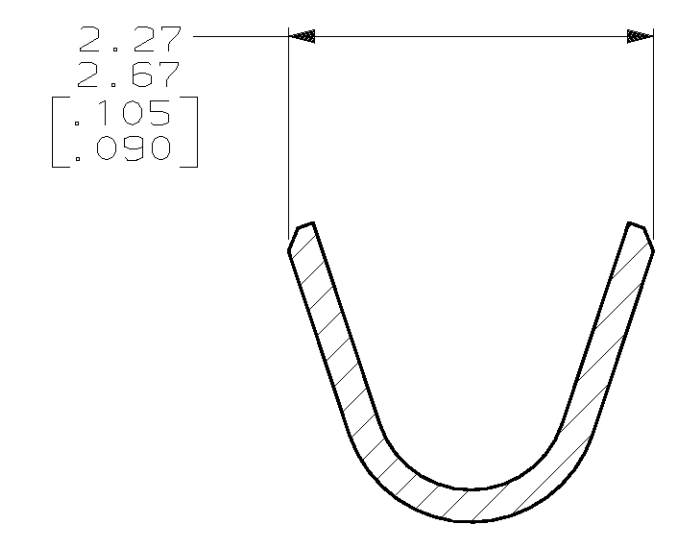
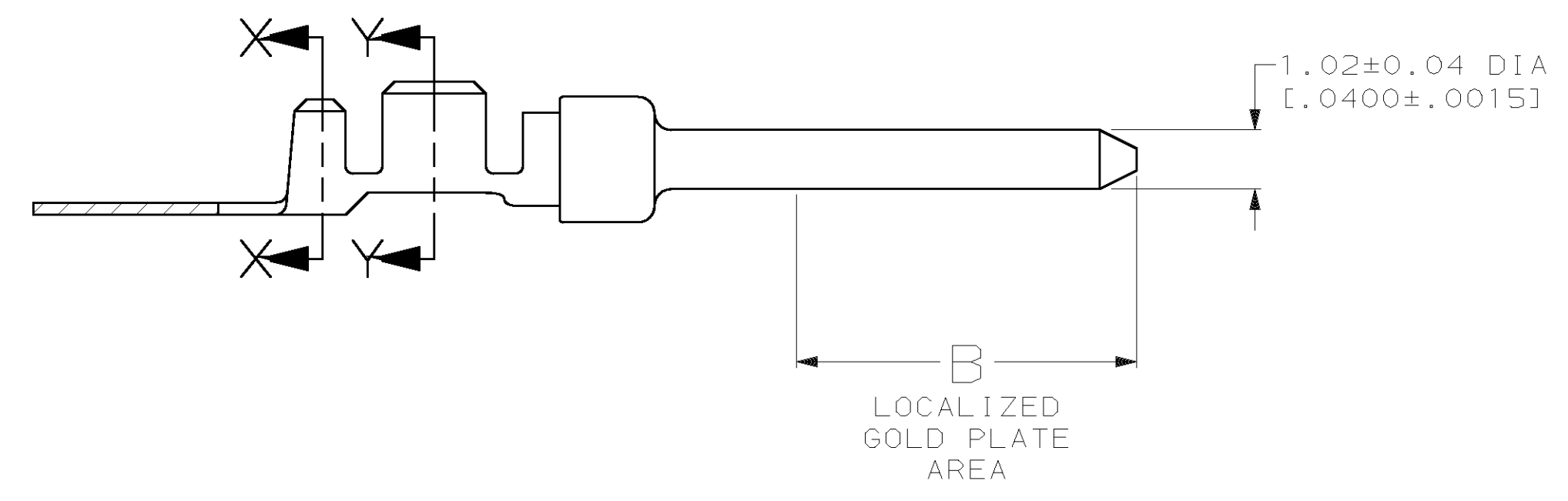
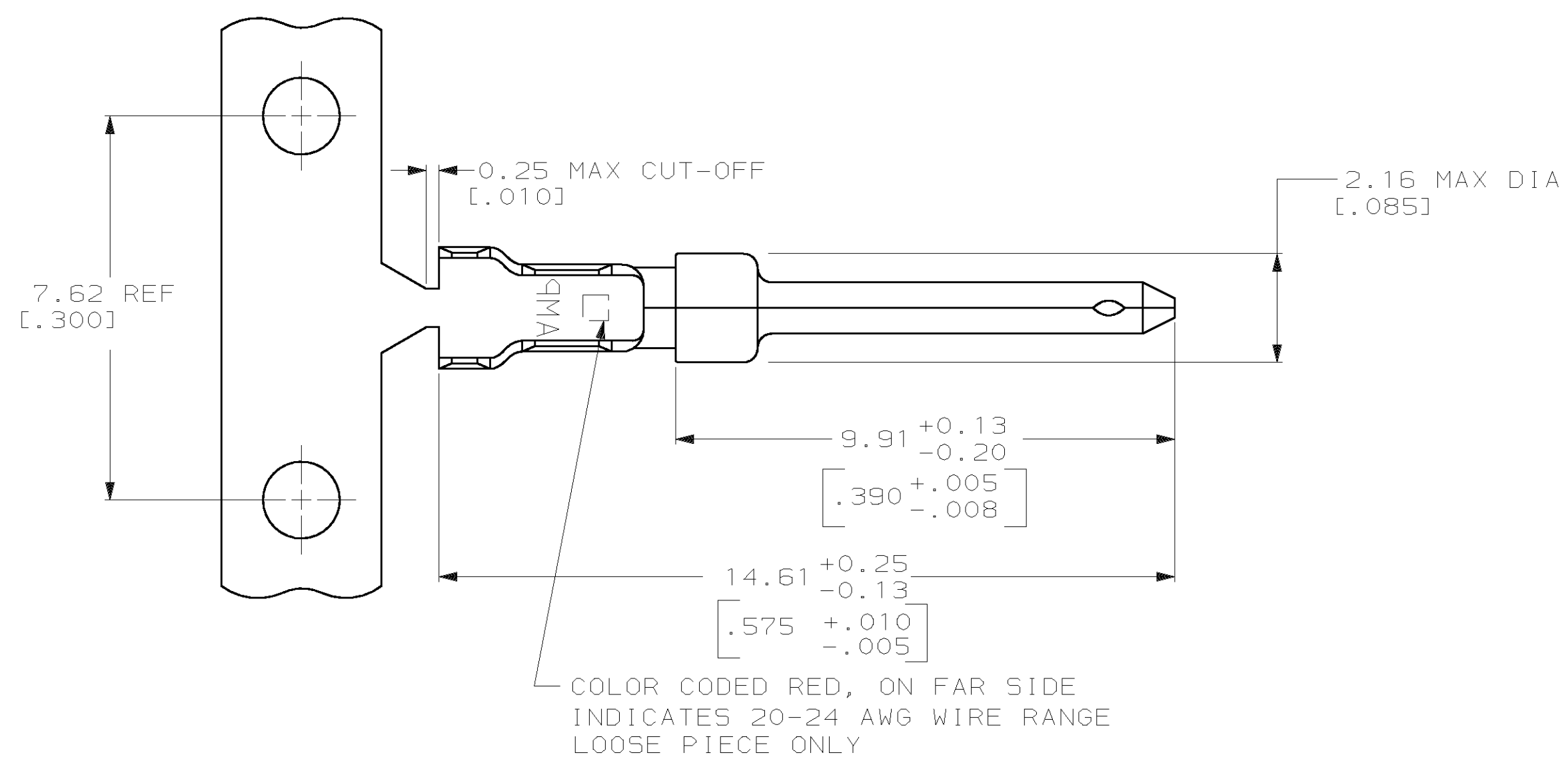
**www.Jameco.com ♦ 1-800-831-4242**

The content and copyrights of the attached  
material are the property of its owner.

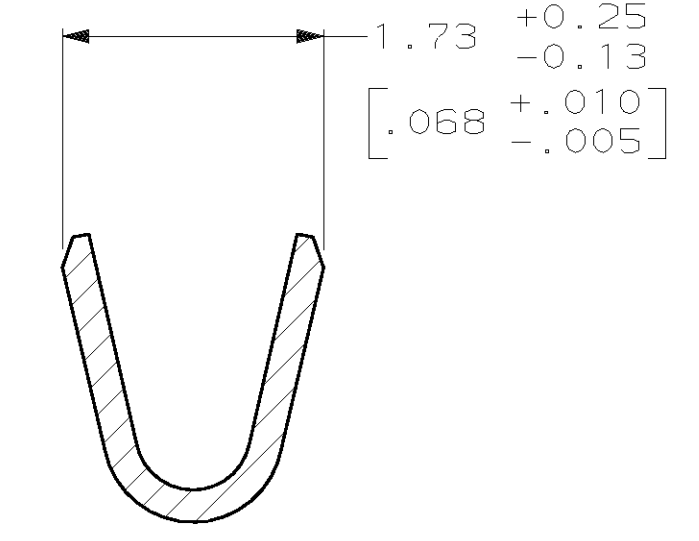
**Jameco Part Number 223191**

LOC	DIST	REV	DATE	BY	APPV
GP	00	AM	09 JAN 02	JR	JG

- 1. FOR MINI-APPLICATOR AND STRIPPER CRIMPER.
- 2. FOR HAND TOOL USE ONLY.
- 3. FOR STANDARD APPLICATOR PART #566171 ONLY.
- 4. WIRE RANGE OF 20-24 AWG. INSULATION RANGE OF 1.27/1.52 [.050-.060].
- 5. GOLD PLATING MAY NOT APPEAR ON CARRIER STRIP.
- 6. GOLD PLATING PER MIL-G-45204, NICKEL PLATING PER QQ-N-290, TIN PLATING PER MIL-T-10727, COPPER PLATING PER MIL-C-14550.
- 7. PLATED, 1.27µm [.000050] GOLD OVER 1.27µm [.000050] NICKEL.
- 8. GOLD PLATED IN LOCALIZED GOLD PLATED AREA, 0.76µm [.000030] GOLD IN MATED AREA, GOLD FLASH ON REMAINDER, OVER 1.27µm [.000050] NICKEL.
- 9. PLATED WITH GOLD FLASH OVER 0.76µm [.000030] NICKEL.
- 10. PLATED WITH 2.54µm - 5.08µm [.000100 - .000200] TIN.
- 11. GOLD PLATED IN LOCALIZED GOLD PLATED AREA, 0.76µm [.000030] GOLD IN MATED AREA, TIN PLATED WIRE BARRELS, OVER 1.27µm [.000050] NICKEL.
- 12. PLATED WITH GOLD FLASH IN LOCALIZED GOLD PLATE AREA, TIN PLATED WIRE BARRELS, OVER 0.76µm [.000030] NICKEL.
- 13. GOLD PLATED IN LOCALIZED GOLD PLATE AREA, 0.38µm [.000015] GOLD IN MATED AREA, GOLD FLASH ON REMAINDER, OVER 1.27µm [.000050] NICKEL.
- 14. AMP ITALY PART NUMBER ONLY.
- 15. GOLD PLATED IN LOCALIZED GOLD PLATE AREA, 1.27µm [.000050] GOLD IN MATED AREA, GOLD FLASH ON REMAINDER, OVER 1.27µm [.000050] NICKEL.
- 16. GOLD PLATED IN LOCALIZED GOLD PLATE AREA, 0.03µm [.000001] GOLD IN MATED AREA, 0.76µm [.000030] MIN TIN PLATED WIRE BARRELS, ALL OVER 0.76µm [.000030] MIN NICKEL.
- 17. GOLD FLASH IN LOCALIZED GOLD PLATE AREA, 2.54µm [.000100] MIN TIN OR TIN-LEAD PLATED WIRE BARRELS, ALL OVER 0.76µm [.000030] MIN NICKEL.



SECTION X-X  
INSULATION BARREL  
SCALE 20:1



SECTION Y-Y  
WIRE BARREL  
SCALE 20:1

SUPERSEDED BY	TYPE	LENGTH	FINISH	USE	TYPE	PART NUMBER
2-66506-5	STANDARD	5.84 [.230]	17	1	STRIP	6-66506-4
OBSELETE	STANDARD	3.94 [.155]	11	3	STRIP	6-66506-3
	STANDARD	3.94 [.155]	16	1	STRIP	6-66506-2
	SMALL PACK	3.94 [.155]	8	2	LOOSE PIECE	6-66506-1
OBSELETE	STANDARD	3.94 [.155]	15	1	STRIP	6-66506-0
	STANDARD	3.94 [.155]	12	2	LOOSE PIECE	5-66506-9
	STANDARD	3.94 [.155]	11	2	LOOSE PIECE	5-66506-7
	STANDARD	3.94 [.155]	12	1	STRIP	2-66506-5
	STANDARD	3.94 [.155]	11	1	STRIP	2-66506-4
OBSELETE	STANDARD	-	10	1	STRIP	1-66506-4
OBSELETE	STANDARD	-	7	3	STRIP	1-66506-1
	STANDARD	-	9	2	LOOSE PIECE	1-66506-0
	STANDARD	3.94 [.155]	8	2	LOOSE PIECE	66506-9
	STANDARD	-	7	2	LOOSE PIECE	66506-8
	STANDARD	-	9	1	STRIP	66506-4
	STANDARD	3.94 [.155]	8	1	STRIP	66506-3
	STANDARD	-	7	1	STRIP	66506-2
	PACKAGING TYPE	B	FINISH	USE	TYPE	PART NUMBER

THIS DRAWING IS A CONTROLLED DOCUMENT.

DWN: S. WELDON 9-9-86  
 CHK: C. RICHARD 9-9-86  
 APVD: V. KLIMAR 9-10-86

AMP Incorporated  
 Harrisburg, PA 17105-3608

PRODUCT SPEC: PIN CONTACT, SIZE 20 DF, 20-24 AWG, AMPLIMITE

APPLICATION SPEC: 114-10000

SIZE: A1 00779

SCALE: 10:1

SHEET 1 OF 1

REV AM