

Distributed by:

**JAMECO**<sup>®</sup>  
ELECTRONICS

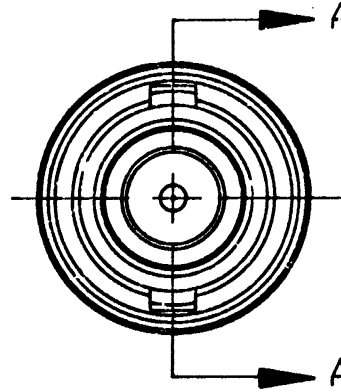
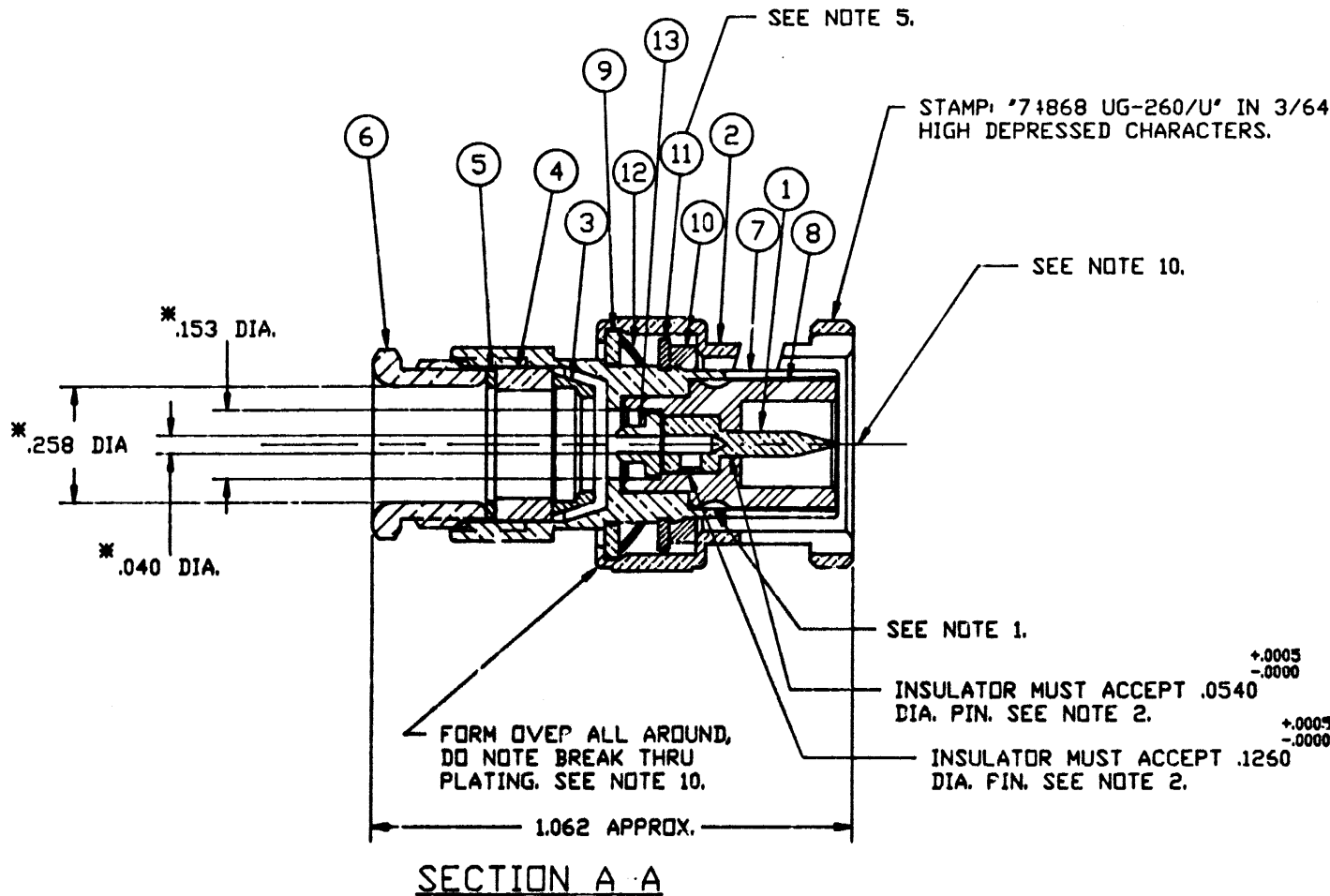
**www.Jameco.com ♦ 1-800-831-4242**

The content and copyrights of the attached  
material are the property of its owner.

**Jameco Part Number 223394 (31-12)**

DO NOT SCALE THIS DRAWING

REVISIONS				
SYM	DESCRIPTION	DATE	E.C.O. NO.	APPR.
A	OFFICIAL ENG. RELEASE TO MFG.	10/11/67	15436	
AC	REDRAWN - REMOVED NOTES 1 & 4; CHANGED PLATE NOTE 6 & REMOVED PLATE NOTE 7; ADDED PLATE LETTERS & CABLE ENTRY DIM'S; ADDED NOTES 8 THRU 10 & UG-260 TO TITLE BLOCK; FORM OVER WAS ROLL OVER STAKE WAS PRICK PUNCH.	2/23/73	39230	D R



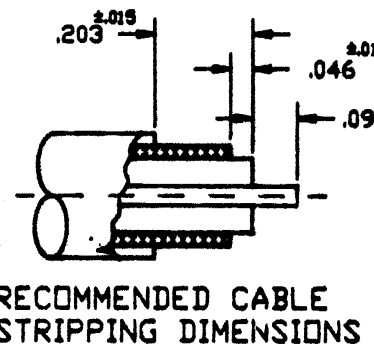
**NOTES:**

1. STAKE IN 6 PLACES CENTER OF TINES .013 ±.003 DP. AS SHOWN. TINES MUST BE HELD SECURELY IN CONFINING FIXTURE TO AVOID ANY DISTORTION WHEN STAKING. STAKING SHALL BE SUCH THAT A PRESSURE OF 5 LBS. APPLIED ON A .121 ±.001 DIA. ROD INSERTED INTO THE TERMINAL END OF ITEM #7 & AGAINST ITEM #8 WILL NOT DISLODGE IT.
2. AFTER STAKING, INSULATOR (ITEM 8) MUST ACCEPT PIN SIZES SHOWN WHEN A FORCE OF 1/2 LB. MAX. IS APPLIED.
3. THIS CONNECTOR SIMILAR TO 31-021, 31-021-1050 EXCEPT FOR STAMPING AND/OR FINISH.
4. PLATING MUST CONFORM TO AMPHENOL SPEC. 349-50560. CONTACT IS SILVER PLATED, ALL OTHER METAL PARTS ARE ASTROPLATED (REF.).
5. AFTER ASSY. OF RING TO BODY, O.D. MUST NOT EXCEED .482 MAX.
6. U.L. RECOGNIZED ITEM - NO CHANGES ARE PERMITTED WHICH AFFECT CATALOG SPEC.
7. PACKAGE CONNECTOR IN ANTI STATIC BAG 999-226. BAG MUST BE ANTI-STATIC. MARK PACKAGING BAG '9J 5A 500V'
8. ASTERISK (\*) INDICATES CABLE ENTRY DIM'S.
9. ITEMS 1, 3, 4, 5, 6 & 13 WILL BE PACKAGED LOOSE.
10. MUST CONFORM TO AMPHENOL SPEC. 349-50551, SEC. 301.
11. AFTER ASSY. TEST (ITEM #7) PER AMPHENOL SPEC. 311-973, TESTS 4 & 5.

31-12  
DRAWING NUMBER ISSUE  
AC

PART NO.	QUAN	UCM	DESCRIPTION	CODE	FINISH
31-1099	1		13 BUSHING, INSULATOR		
95631-H	1		12 SPRING		NOTE 4
31-10720-H	1		11 WASHER		NOTE 4
82-1535-3	1		10 GASKET		
31-914 H	1		9 WASHER		NOTE 4
31-986	1		8 INSULATOR		
31-10722-G	1		7 BODY		NOTE 4
31-983-1H	1		6 NUT		NOTE 4
82-946-27H	1		5 WASHER		NOTE 4
82-1535-13	1		4 GASKET		
31-982 H	1		3 CLAMP		NOTE 4
31-1500 G	1		2 BAYONET SLEEVE		NOTE 4
31-985 F	1		1 CONTACT		NOTE 4

LIST OF MATERIAL



REMOVE ALL BURRS, BREAK CORNERS AND SHARP EDGES, SEE MAXIMUM UNLESS OTHERWISE SPECIFIED.

NOTE - These drawings, specifications, or other data (1) are, and remain the property of Amphenol Corp. (2) must be returned upon request, and (3) are confidential and are not to be disclosed to any person other than those to whom they are given by Amphenol Corp. The furnishing of these drawings, specifications, or other data by Amphenol Corp. or by any other person to anyone for any purpose is not to be regarded by implication or otherwise as in any manner licensing, granting rights or permitting such holder or any other person to manufacture, use or sell any product, process or design, patented or otherwise, that may in any way be related to or disclosed by said drawings, specifications or other data.

31\DEPT611\BNC\031\ASSY\12

NEXT ASSY	USED ON

MATERIAL

SPECIFICATION

FINISH

UNLESS OTHERWISE SPECIFIED DIMENSIONS ARE IN INCHES. TOLERANCES NOT OTHERWISE SPECIFIED ARE:

3 PLACE DECIMAL	3 PLACE DECIMAL	ANGLES
±.010	±.005	± 1°
(0.254 mm)	(0.127 mm)	

REFERENCE DRAWING NO.  
DOR 308903-51

DRAWN BY C. MCGRATH	DATE 10/20/92
CHECKED O. J. Lewis	DATE 2/15/92
ENGINEER O. J. Lewis	DATE 2/15/92
QUALITY ASSURANCE Dave Lewis	DATE 2-25-93
DRAWN BY P. AVERY	DATE 11/2/92

TITLE  
BNC PLUG CONNECTOR UG-260

CODE IDENTIFICATION DRAWING SIZE DRAWING NO.  
74868 C 31-12

Amphenol Corporation  
RF/Microwave Operations  
Danbury, Conn. U.S.A.

SCALE: All SHEET OF  
TBLT AC