

SIGN	DATE	DESCRIPTION	APPROVER

THIS IS CAD DRAWING, DO NOT REVISE MANUALLY!!!

Material

- Insulator: PBT
- Flammability: UL94V-0
- Contacts: Copper Alloy
- Contact Plating: See options
- Shell: Copper Alloy

Ratings

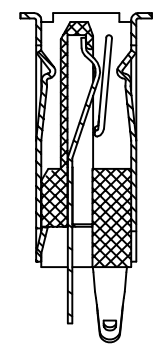
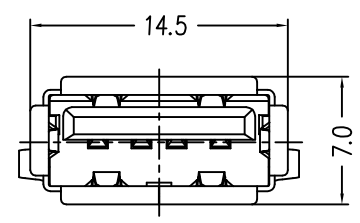
- Current: 1.5A
- Voltage: 30V AC(r.m.s.)
- Dielectric Withstanding Voltage: 500V AC at sea level
- Contact Resistance: $\leq 30m\Omega$
- Insulation Resistance: >1,000 M Ω
- Operating Temperature: -55° ~ +85°
- Mating Force: 3.5Kg Max
- Umating Force: 1Kg. Min

RoHS Compliant

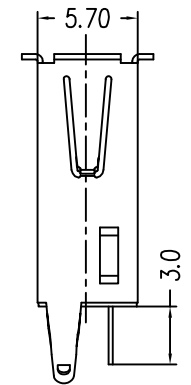
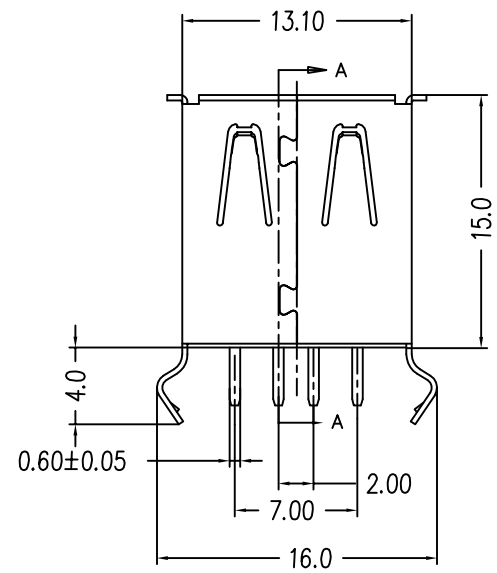
PART NUMBER:

USB-A1VSXX

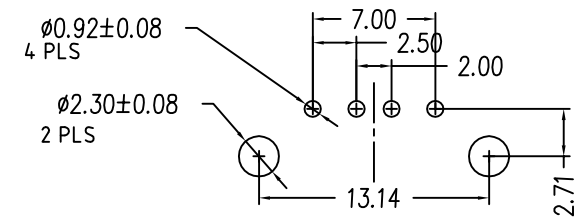
- COLOR:
- B: Black
 - W: White
- PLATING:
- 6: Selective Gold Flash (Std.)
 - 8: Selective 30u" Gold
 - 9: Selective 50u" Gold



SECTION A-A



RECOMMEND PCB LAYOUT



THESE DRAWINGS AND SPECIFICATIONS ARE THE PROPERTY OF ON-SHORE TECHNOLOGY, INC. AND SHALL NOT BE REPRODUCED, COPIED OR USED IN ANY MANNER WITHOUT THE PRIOR WRITTEN CONSENT OF ON-SHORE TECHNOLOGY, INC.



TITLE		USB - A type, Vertical, thru hole, single port			
PART NO.	USB-A1VSXX	DWG NO.	USB-A1VSXX.DWG		
APPROVED	CHECKED	DESIGNED	DRAWN	1200	
	Marvin 2008.05.30	Marvin 2008.05.30	Marvin 2008.05.30	Tolerance	
				UNIT: mm	X.* ±1°
				SCALE: NONE	X.X ±0.30
				SHEET: 01/01	X.XX ±0.25
				REV.: A	X.XXX ±0.15