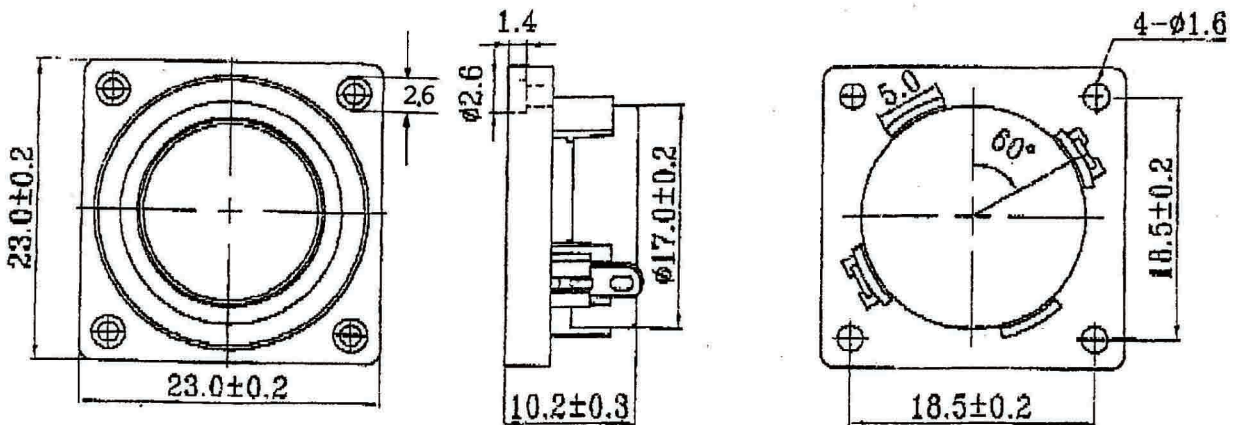
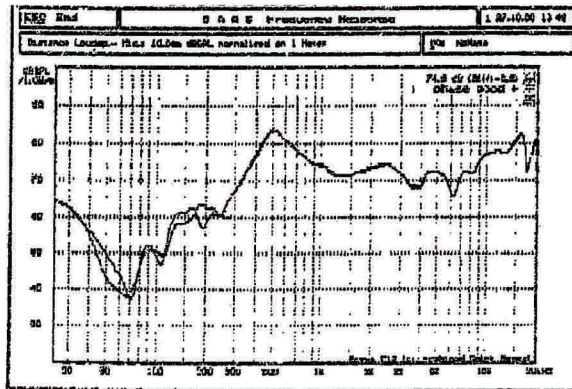


CIC COMPONENTS IND. CO., LTD.

NO. 102062601A

SPEAKER SPECIFICATION

1.	MODEL	TQ-023CP-8 (2323CP08)
2.	Dimension	23x23x10.2H Weight 8.1 Gram
3.	Magnet	Materials Rare Earth Size NdFeB ϕ 12.5x3.0 mm
4.	Nominal Impedance	8 Ohm \pm 15 %
5.	Power Rating	Normal 2.0 W Maximum 4.0 W
6.	Lowest Resonant Frequency	650 \pm 130 Hz
7.	Output Sound Pressure Level	76 \pm 3 dB / 1Watt 1 Meter Averare at 600, 800, 1000, 1200 Hz
8.	Frequency Range	300~20 K Hz Average SPL-10 dB
9.	Voice Coil	Diameter 13.2 mm
10.	Distortion	5 % Maximum At 1000 Hz 2.0 W
11.	Abnormal Sound Test	Must be Normally Tested By 4.0 Volts Sine Wave
12.	Load Test	Pink Noise with Weighted Filter 4.0 Volts (RMS) 24 Hrs.
13.	Operating Temperature	-25°C ~ +60 °C
14.	Storage Temperature	-40°C ~ + 70 °C
15.	Polarity	Diaphragm shall move Forward when Apply a Positive DC Current to the "+" or "Markered" Terminal
16.	Remarks	Above Specifications on the strength of CNS4784 and CNS4785



Unit:mm