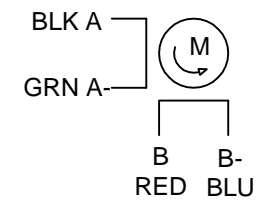
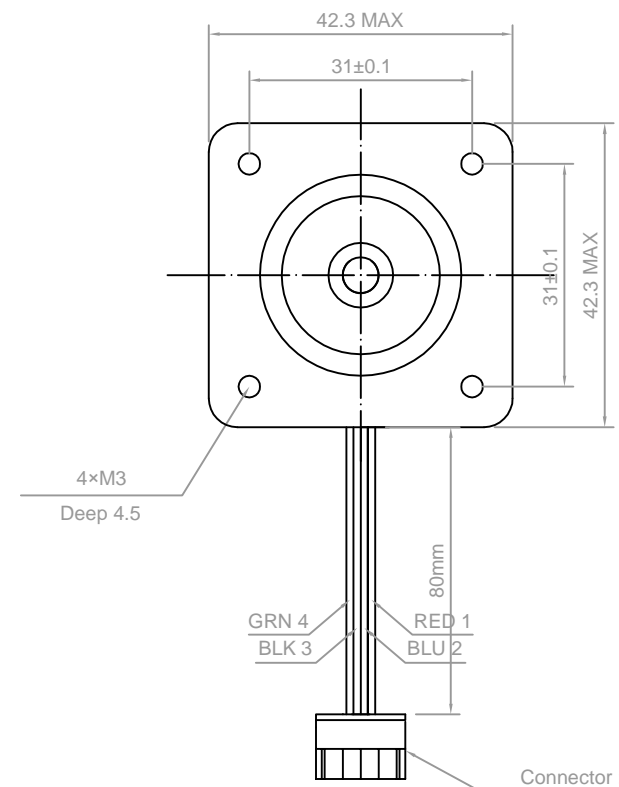
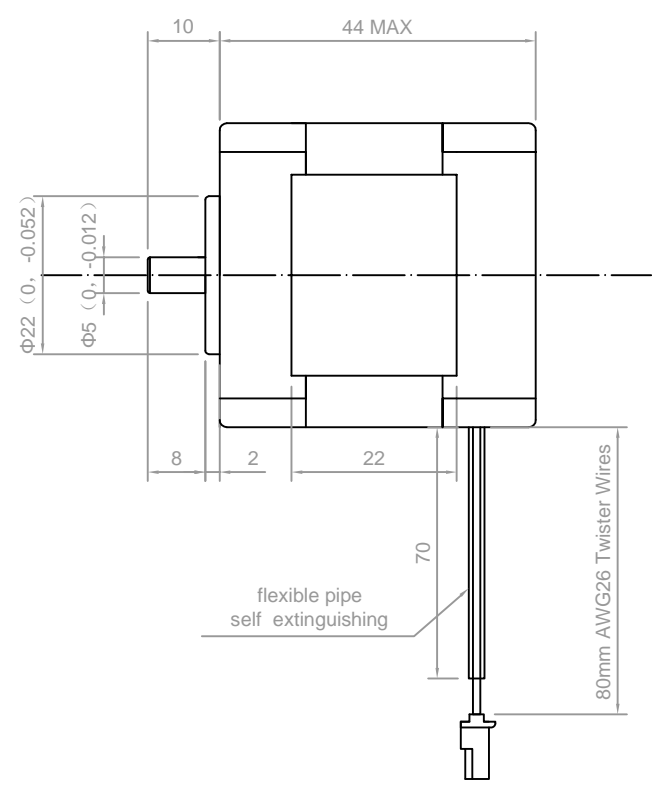


Rev.	Description	Date
01		06/16/2016



Connector : MOLEX 5264-04 White 39-02-6044
Contact : 08-70-1039

No.	Item	Specification	No.	Item	Specification
1	Step Angle	1.8°	7	Insulation Class	Class B
2	Rated Voltage	4V	8	Holding Torque	3.6kg-cm
3	Current / Phase	1.0A	9	Insulation Resistance	100MΩ (500VDC)
4	Resistance Per Phase	4Ω±10%	10	Rotor Inertia	65g.cm ²
5	Inductance Per Phase	10mH±20%			
6	Number of Phase	2			

Drawn	Bruce	06/16/2016	Unit: mm Kysan Electronics www.kysanelectronics.com info@kysanelectronics.com	
Checked	Tony	06/16/2016		
Eng Appr.				
Mfg Appr.				
Q.A.				
SKU: 1124300			Size :A4	Weight(Kg):
			Scale 1:1	