

Electromechanical Relays

Hasco Component's electromechanical relays range from less than an amp to 80 amps. Hasco's relays are UL and CSA with some TUV ratings. All relays have DC coils and many have an AC coil. They come sealed for wave soldering and washing thereby allowing the relays to be put on any assemble line. There are surface mount low current relays available as well.

KLT MINIATURE POWER RELAYS SPDT 3, 6, 12, 15 & 20 AMP

FEATURES

- Highly reliable, low cost
- Miniature size & large switch capacity up to 20A
- High dielectric strength type
- Fully Sealed
- Inexpensive



File E75887



File LR49291



Also Available As Surface Mount Device. Call for Availability.

ELECTRICAL RATINGS

3 Amp: 3A at 120VAC or 28VDC resistive

6 Amp: 6A at 120VAC or 28VDC; 6A at 240VAC general purpose; 1/4 hp at 120VAC

12 & 15 Amp: 12A at 120VAC or 28VDC; 12A at 240VAC general purpose; 7A at 277VAC general purpose; 1/4 hp at 120VAC; 15A at 120VAC resistive

Pilot duty: 40A in-rush, 4A steady state at 125VAC
10A in-rush, 1A steady state at 240VAC

N.O. only, Single Pole: 10A at 12VDC Tungsten; 15A at 120VAC Tungsten

1/2 hp at 120VAC; 5.4A at 277 VAC Ballast

GENERAL DATA

Contact resistance: 50mOhms Max.

Operate Time: 8ms Max. (at nominal voltage)

| | |
|---|--|
| Operate Bounce Time: | 3 ms Max. |
| Release Time: | 5 ms Max. |
| Release Bounce Time: | 8 ms Max |
| Max. Switching Voltage: | 277VAC & 125VDC |
| Min. Permissible Load (reference value): | 3 Amp: 5VDC at 1mA 6, 12, 15 & 20 Amp: 5VDC at 100mA |
| Insulation Rating: | Class B & Class F |
| Insulation Resistance: | more than 100M at 500VDC |
| Dielectric Strength: | 750VAC (50/60Hz), between open contacts 1500VAC (50/60Hz), between coil & contact |
| Vibration: | 1.5mm double amplitude, 10 to 50Hz |
| Shock: | 100 m/sec ² (approx. 10G's) |
| Operation Frequency: | Mechanical: 18,000 operations/hour Electrical: 1,800 operations/hour (under rated load) |
| Service Life: | Mechanical: 10 million operations Electrical: 100,000 operations min. at rated resistive load |
| Temperature Range: | Class B: - 40°C to 85°C Class F: -40°C to 105°C |
| Temperature Rise: | Less than 35 degrees |
| Humidity: | 45% - 85% RH |
| Approximate Weight: | 12 grams |

COIL RATINGS

| Nominal Coil Voltage | Coil Resistance in Ohms, ±10% at 20°C 6, 12, 15 Amp | Coil Resistance in Ohms, ±10% at 20°C 20 Amp | Must Operate Voltage at 20°C | Must Release Voltage at 20°C | Maximum Voltage |
|----------------------|--|---|------------------------------|------------------------------|----------------------|
| 3VDC | 25 | 20 | | | |
| 5VDC | 70 | 55 | | | |
| 6VDC | 100 | 80 | | | |
| 9VDC | 225 | 180 | 75% max. of nominal voltage | 10% min. of nominal voltage | 130% of nomi voltage |
| 12VDC | 400 | 320 | | | |
| 18VDC | 900 | 1100 | | | |
| 24VDC | 1600 | 1280 | | | |
| 48VDC | 6400 | 5120 | | | |

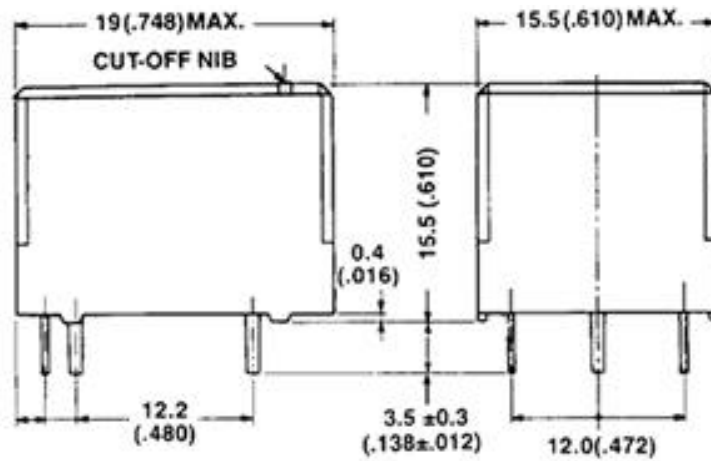
REMARK

- Use alcohol, freon or water for cleaning. (water temperature not to exceed 50°C)

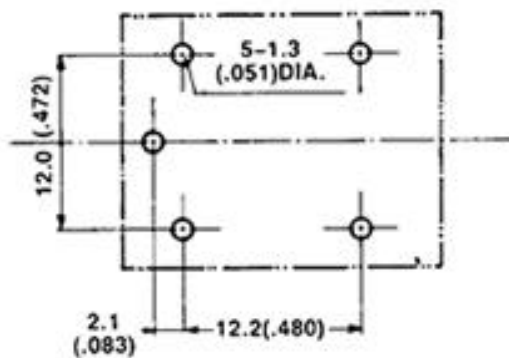
ORDERING INFORMATION

| KLT Model No. | F Class B Class F | 1C Contact Arrangement: | 12 Contact Material & Rating: | DC12 Nominal Voltage: | 1 NIL = Sealed 1 = Unsealed |
|---------------|-------------------|----------------------------|--------------------------------------|-----------------------|-----------------------------|
| | | A = 1 Form A (SPST-NO) | 3 Amp = Silver, gold flash | 3 = 3VDC; | |
| | | B = 1 Form B (SPST-NC) | 6 Amp = Silver cadmium oxide | 5 = 5VDC; | |
| | | C = 1 Form C (SPDT) | 12 Amp = silver cadmium oxide | 6 = 6VDC; | |
| | | | 15 Amp = silver tin indium oxide | 9 = 9VDC; | |
| | | | 20 Amp = Silver tin indium oxide | 12 = 12VDC; | |
| | | | | 24 = 24VDC; | |
| | | | | 48 = 48VDC | |

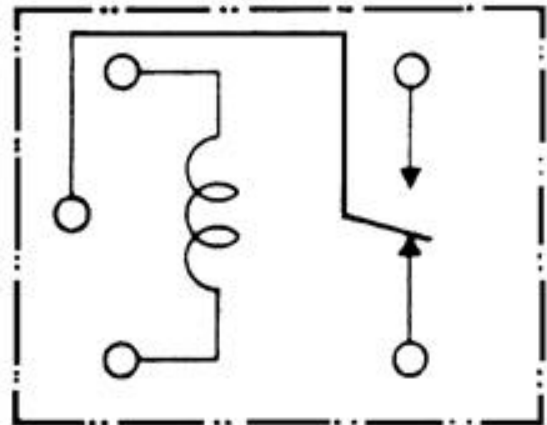
DIMENSIONS: mm (inch)



MOUNTING HOLES
(bottom view)



TERMINAL ARRANGEMENT
(bottom view)



PART NUMBERS

| | | |
|------------|-------------|-------------|
| KLT1A6DC5 | KLT1B12DC5 | KLT1C15DC5 |
| KLT1A6DC6 | KLT1B12DC6 | KLT1C15DC6 |
| KLT1A6DC9 | KLT1B12DC9 | KLT1C15DC9 |
| KLT1A6DC12 | KLT1B12DC12 | KLT1C15DC12 |

| | | |
|-------------|-------------|-------------|
| KLT1A6DC18 | KLT1B12DC18 | KLT1C15DC18 |
| KLT1A6DC24 | KLT1B12DC24 | KLT1C15DC24 |
| KLT1A6DC48 | KLT1B12DC48 | KLT1C15DC48 |
| KLT1B6DC5 | KLT1C12DC5 | KLT1A20DC5 |
| KLT1B6DC6 | KLT1C12DC6 | KLT1A20DC6 |
| KLT1B6DC9 | KLT1C12DC9 | KLT1A20DC9 |
| KLT1B6DC12 | KLT1C12DC12 | KLT1A20DC12 |
| KLT1B6DC18 | KLT1C12DC18 | KLT1A20DC18 |
| KLT1B6DC24 | KLT1C12DC24 | KLT1A20DC24 |
| KLT1B6DC48 | KLT1C12DC48 | KLT1A20DC48 |
| KLT1C6DC5 | KLT1A15DC5 | KLT1B20DC5 |
| KLT1C6DC6 | KLT1A15DC6 | KLT1B20DC6 |
| KLT1C6DC9 | KLT1A15DC9 | KLT1B20DC9 |
| KLT1C6DC12 | KLT1A15DC12 | KLT1B20DC12 |
| KLT1C6DC18 | KLT1A15DC18 | KLT1B20DC18 |
| KLT1C6DC24 | KLT1A15DC24 | KLT1B20DC24 |
| KLT1C6DC48 | KLT1A15DC48 | KLT1B20DC48 |
| KLT1A12DC5 | KLT1B15DC5 | KLT1C20DC5 |
| KLT1A12DC6 | KLT1B15DC6 | KLT1C20DC6 |
| KLT1A12DC9 | KLT1B15DC9 | KLT1C20DC9 |
| KLT1A12DC12 | KLT1B15DC12 | KLT1C20DC12 |
| KLT1A12DC18 | KLT1B15DC18 | KLT1C20DC18 |
| KLT1A12DC24 | KLT1B15DC24 | KLT1C20DC24 |
| KLT1A12DC48 | KLT1B15DC48 | KLT1C20DC48 |