

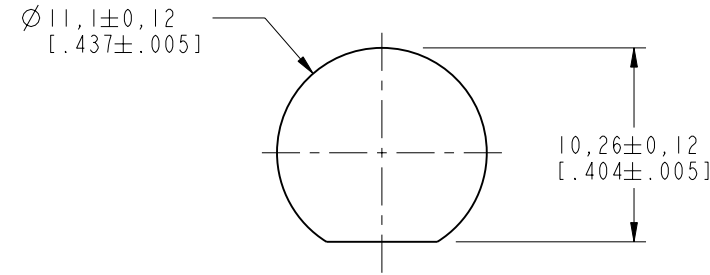
NOTES:

1. MATERIALS AND FINISHES:  
 BODY -BRASS, NICKEL PLATING  
 CONTACT - BeCu , SILVER PLATING  
 INSULATOR - PTFE
2. ELECTRICAL:  
 A. IMPEDANCE: 50 OHM  
 B. FREQUENCY RANGE: DC - 2 GHz
3. MECHANICAL:  
 A. DURABILITY: 500 CYCLES MIN.  
 B. TEMPERATURE RANGE: -65° C TO +165° C
4. PACKAGING:  
 A. QUANTITY: SINGLE PACK  
 B. MARKING: BAG TO BE MARKED  
 "AMPHENOL RF, 31-236, AND DATE CODE"

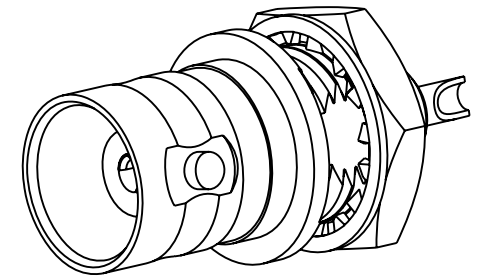
THIRD ANGLE PROJ.

REVISIONS

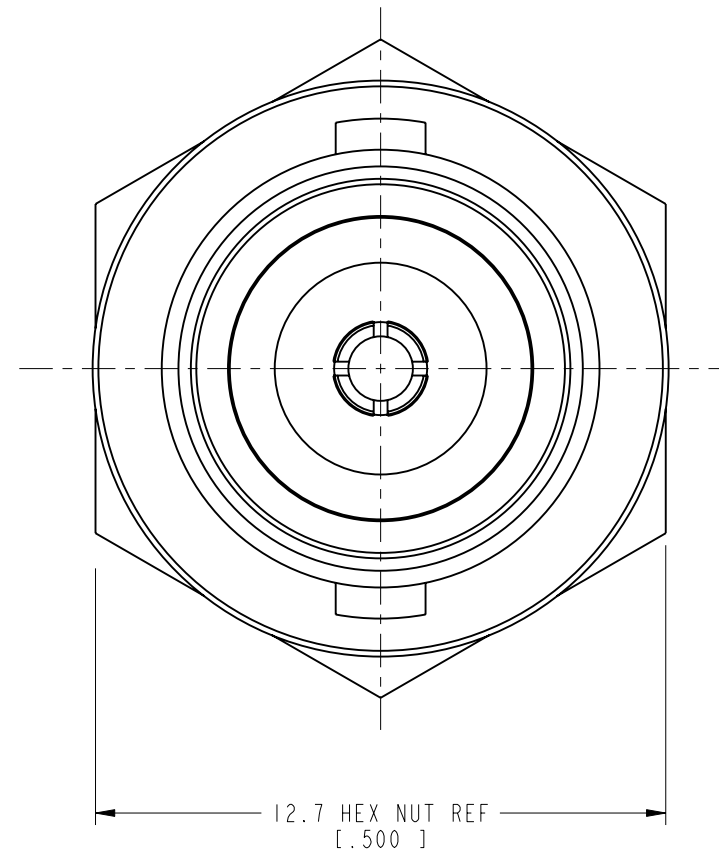
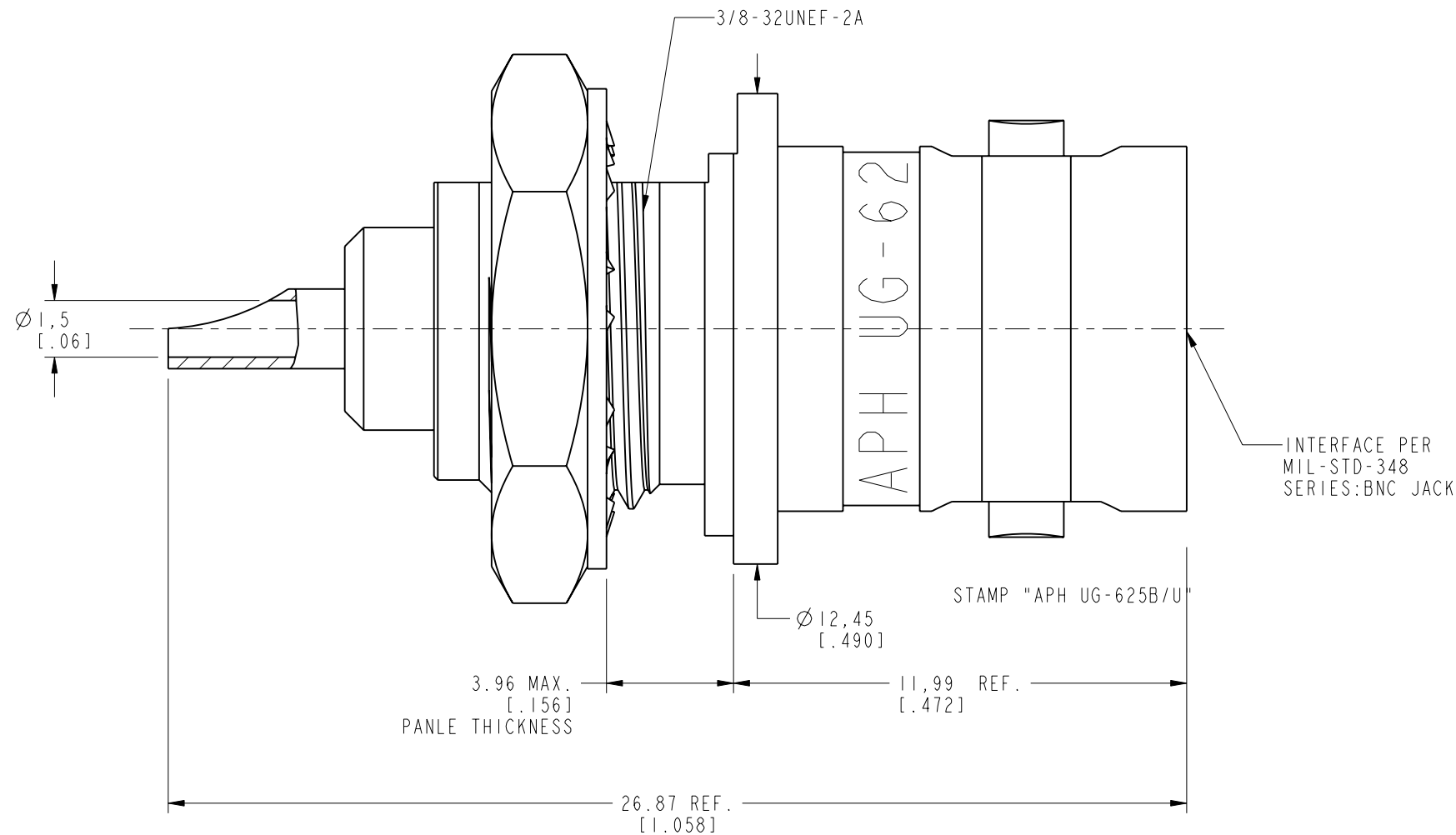
REV	DESCRIPTION	DATE	ECO	APPR
A	RELEASE TO MFG.	06-Jun-68	16312	DR
U	REDRAWN IN PROE, ADD COD\RD-DM11052701R3	09-Jun-11	47675	SH
V	CHANGE LOCK WASHER\RD-DM1121501F	29-Dec-11	48832	SH
W	SEE SHEET 1	17-Jul-12	49138	SH



**RECOMMENDED MOUNTING HOLE**



SCALE 2.500



**CUSTOMER OUTLINE DRAWING**

ALL OTHER SHEETS ARE FOR INTERNAL USE ONLY

UNLESS OTHERWISE SPECIFIED, DIMENSIONS ARE IN METRIC AND TOLERANCES ARE: <0.5mm ± 0.05mm    0.5 - 6mm ± 0.1mm    6 - 30mm ± 0.2mm    30 - 120mm ± 0.3mm    ANGLES ± 1°	MATERIAL	DRAWN R. MAO	DATE 31-May-11	TITLE BNC BULKHEAD RECEPTACLE FRONT MOUNT (NICKEL PLATED) SCALE: 6.0:1.0   SHEET 2 OF 2	Amphenol RF www.amphenolrf.com
	REFERENCE EAR # AND CONFIGURATION LEVEL: □□□□	ENGINEER S. LI	DATE 31-May-11		
NOTICE - These drawings, specifications, or other data (1) are, and remain the property of Amphenol corp. (2) must be returned upon request; and (3) are confidential and not to be disclosed to any person other than those to whom they are given by Amphenol Corp. the furnishing of these drawings, specifications, or other data by Amphenol Corp., or to any other person to anyone for any purpose is not to be regarded by implication or otherwise in any manner licensing, granting rights to permitting such holder or any other person to manufacture, use or sell any product, process or design, patented or otherwise, that may in any way be related to or disclosed by said drawings, specifications, or other data.	FINISH	APPROVED S. HSIEH	DATE 31-May-11	ITEM NO. 31-236	PART NO. 31-236
		CAD FILE	DWG SIZE B	REV W	