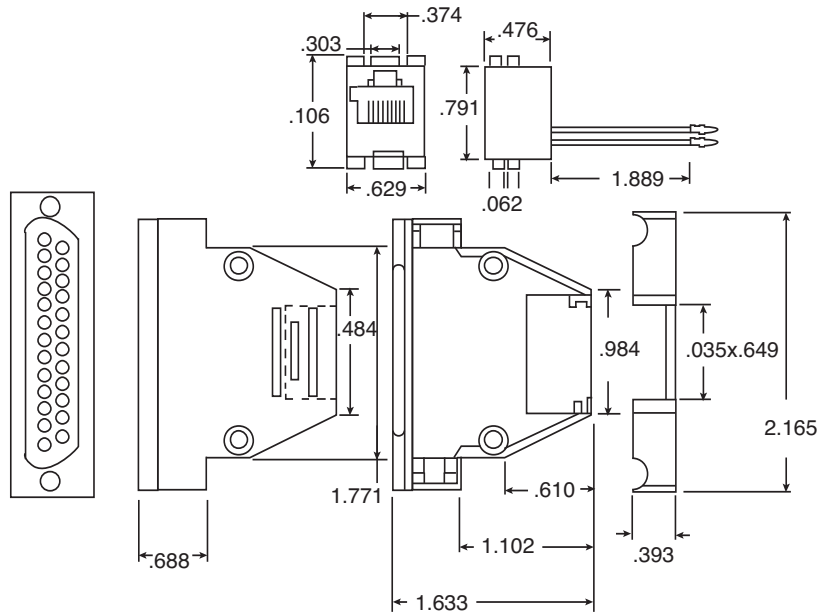
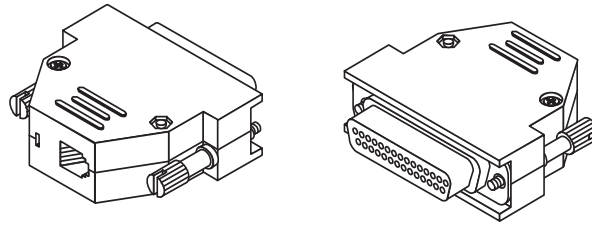


Modular Jack Adapter

154-2566M, **154-2566F**, 154-2588M, 154-2588F

KOBICONN

Modular Jack Adapter



Dimensions: In.

Stock No.	Description		
154-2566M	Male	6P/6C	DB25
154-2566F	Female	6P/6C	DB25
154-2588M	Male	8P/8C	DB25
154-2588F	Female	8P/8C	DB25

154-2566M, F

154-2588M, F

Pin	Wire Color
1	Blue
2	Yellow
3	Green
4	Red
5	Black
6	White

Pin	Wire Color
1	Orange
2	Blue
3	Red
4	Black
5	Yellow
6	Green
7	Gray
8	Brown

SPECIFICATIONS

Screw:	nickel plated copper
Plastic housing:	ABS
D-SUB insulation:	PBT
D-SUB metal:	tinned plates
Modular jack-housing:	ABS
Modular jack-contact:	6 micro inch plated-phosphor bronze
Assembly Required	

Date Last Revised: 1-14-05

Available from Jameco Electronics
1-800-831-4242
www.Jameco.com

KC- 300232

154-2566M, 154-2566F, 154-2588M, 154-2588F