

插入型絕緣/金屬軸式編碼規則

RV 09 A X F - 40 E1 - 20 F X - B 5K - X X XXX
1 2 3 4 5 6 7 8 9 10 11 12 13 14 15

1. Product Line
RV Rotary Potentiometer

2. Model

3. Structure Difference

4. Derivatives

5. RoHS Version
F indicates RoHS Compliance

6. Type of Terminal

Code	Type of Terminal
10	Solder lug
20	PC board (horizontal)
30	PC board (vertical);front
40	PC board (vertical);back

7. Type of Bushing

8. Shaft Length

9. Type of Shaft

10. Axis Angle of F-type Shaft

11. Pattern of Resistance Curve

12. Resistance Value

13. Materials & Methods for Manufacturing Shaft & Bushing

14. Number of Click

Code	Specification
0	None
C	Center Click
D	11 Positions click
E	21 Positions click
F	41 Positions click

15. Serial No.

訂單指定事項：

開立訂單時，用途請依下表記載予以指定製品之規格詳細記載並確認之。

項目：

1. 型號。
2. 公稱阻值及線性要求。
3. 軸型及長度。
4. 端子型式。
5. 段點的有無。
6. 中間抽頭的有無。
7. 音量用或其他。
8. 手焊錫或錫爐焊錫。

ORDERING INSTRUCTIONS


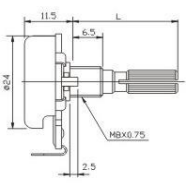
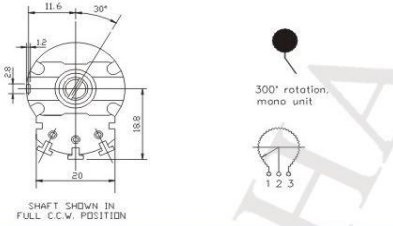

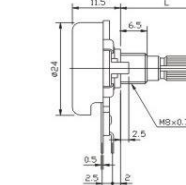
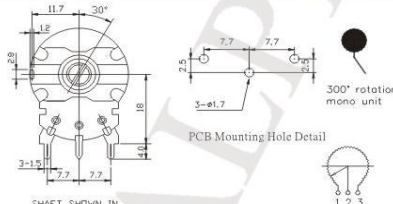

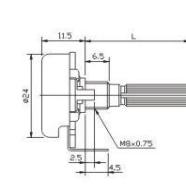
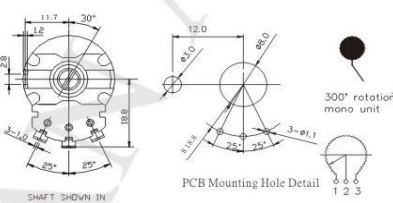

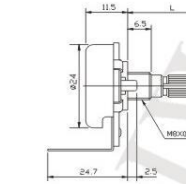
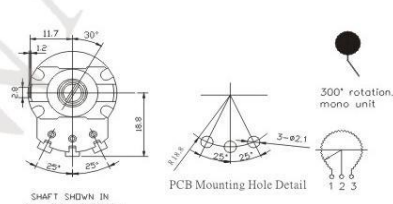

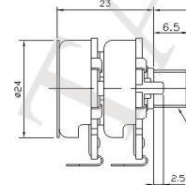
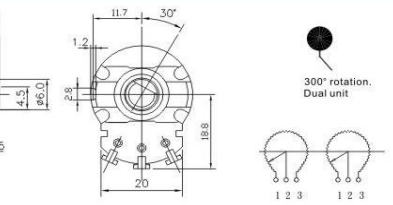
WHEN PLACING YOUR ORDER, PLEASE SPECIFY THE FOLLOWING ITEMS ACCORDING TO YOUR APPLICATION NEEDS. FOR MORE INFORMATION ABOUT OUR PRODUCTS, PLEASE REFER TO THE SPECIFICATION GIVEN ON THE FOLLOWING PAGES.

ITEMS：


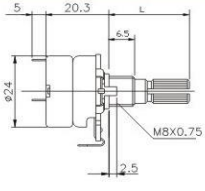
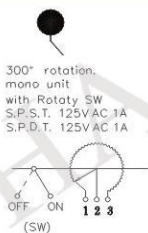

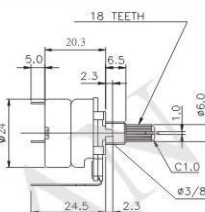
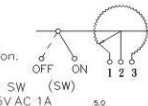
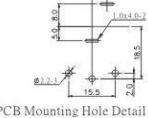
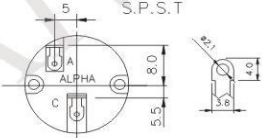
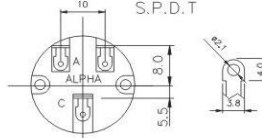
1. MODEL.
2. NORMAL RESISTANCE VALUE AND TAPER.
3. SHAFT STYLE AND LENGTH.
4. TERMINAL STYLE.
5. WITH CLICK OR WITHOUT CLICK, CLICK POSITION
6. WITH TAP OR WITHOUT TAP, TAP POSITION.
7. FOR VOLUME CONTROL OR OTHER USE.
8. MANUAL SOLDERING OR DIP SOLDERING.

24mm METAL SHAFT SERIES



Model	Outline Drawing	Features / Individual Specification
<p>RV24AF-10</p> 		 <p>SHAFT SHOWN IN FULL C.C.W. POSITION</p>
<p>RV24AF-22</p> 		 <p>SHAFT SHOWN IN FULL C.C.W. POSITION</p>
<p>RV24AF-30</p> 		 <p>SHAFT SHOWN IN FULL C.C.W. POSITION</p>
<p>RV24AF-40</p> 		 <p>SHAFT SHOWN IN FULL C.C.W. POSITION</p>
<p>RV24BF-10</p> <p>NEW</p> 		 <p>SHAFT SHOWN IN FULL C.C.W. POSITION</p>

POTENTIOMETERS

Model	Outline Drawing	Features / Individual Specification																																			
RV24A01F-10(S.P.S.T.) RV24A02F-10(S.P.D.T.) 	 <p style="text-align: center;">SHAFT SHOWN IN FULL C.C.W POSITION</p>	 <p>300° rotation, mono unit with Rotary SW S.P.S.T. 125V AC 1A S.P.D.T. 125V AC 1A</p>																																			
RV24A03F-40D2 (Plastic Shaft & Bushing) 	 <p style="text-align: center;">FULL C.C.W POSITION</p>	 <p>300° rotation, mono unit with Rotary SW (SW) S.P.S.T. 125V AC 1A</p>  <p style="text-align: center;">PCB Mounting Hole Detail</p>																																			
TERMINAL LAYOUT RV24A01F, RV24A02F, RV24A03F <div style="display: flex; justify-content: space-around; align-items: center;"> <div data-bbox="524 1014 784 1150">  <p style="text-align: center;">S.P.S.T.</p> </div> <div data-bbox="849 1014 1109 1150">  <p style="text-align: center;">S.P.D.T.</p> </div> </div>																																					
SPECIFICATION (RV24A01F, RV24A02F, RV24A03F) <table border="0" style="width: 100%; border-collapse: collapse;"> <tr> <td style="vertical-align: top; width: 50%;">MECHANICAL</td> <td style="vertical-align: top; width: 50%;">ELECTRICAL</td> </tr> <tr> <td>TOTAL ROTATION ANGLE</td> <td>300°±5°</td> </tr> <tr> <td>ROTATION TORQUE</td> <td>20~200 gf.cm</td> </tr> <tr> <td>SHAFT STOP STRENGTH</td> <td>6kgf.cm/Min.</td> </tr> <tr> <td>SWITCH WORKING ANGLE</td> <td>50°±10°</td> </tr> <tr> <td>SWITCH WORKING TORQUE</td> <td>800gf.cm Max/</td> </tr> <tr> <td>SWITCH CIRCUIT</td> <td>S.P.S.T., S.P.D.T.</td> </tr> <tr> <td></td> <td>RATED WATTAGE</td> <td>linear taper (B) other tapers</td> </tr> <tr> <td></td> <td>RATED VOLTAGE</td> <td>0.5W 0.25W</td> </tr> <tr> <td></td> <td>INSULATION RESISTANCE</td> <td>500V 250V</td> </tr> <tr> <td></td> <td>DIELECTRIC STRENGTH</td> <td>more than 100MΩ at 500V DC</td> </tr> <tr> <td></td> <td>SWITCH CONTACT RESISTANCE</td> <td>500V AC, 1 minute</td> </tr> <tr> <td></td> <td>SWITCH RATING</td> <td>less than 30mΩ</td> </tr> <tr> <td></td> <td></td> <td>125V AC, 1A</td> </tr> </table>			MECHANICAL	ELECTRICAL	TOTAL ROTATION ANGLE	300°±5°	ROTATION TORQUE	20~200 gf.cm	SHAFT STOP STRENGTH	6kgf.cm/Min.	SWITCH WORKING ANGLE	50°±10°	SWITCH WORKING TORQUE	800gf.cm Max/	SWITCH CIRCUIT	S.P.S.T., S.P.D.T.		RATED WATTAGE	linear taper (B) other tapers		RATED VOLTAGE	0.5W 0.25W		INSULATION RESISTANCE	500V 250V		DIELECTRIC STRENGTH	more than 100MΩ at 500V DC		SWITCH CONTACT RESISTANCE	500V AC, 1 minute		SWITCH RATING	less than 30mΩ			125V AC, 1A
MECHANICAL	ELECTRICAL																																				
TOTAL ROTATION ANGLE	300°±5°																																				
ROTATION TORQUE	20~200 gf.cm																																				
SHAFT STOP STRENGTH	6kgf.cm/Min.																																				
SWITCH WORKING ANGLE	50°±10°																																				
SWITCH WORKING TORQUE	800gf.cm Max/																																				
SWITCH CIRCUIT	S.P.S.T., S.P.D.T.																																				
	RATED WATTAGE	linear taper (B) other tapers																																			
	RATED VOLTAGE	0.5W 0.25W																																			
	INSULATION RESISTANCE	500V 250V																																			
	DIELECTRIC STRENGTH	more than 100MΩ at 500V DC																																			
	SWITCH CONTACT RESISTANCE	500V AC, 1 minute																																			
	SWITCH RATING	less than 30mΩ																																			
		125V AC, 1A																																			