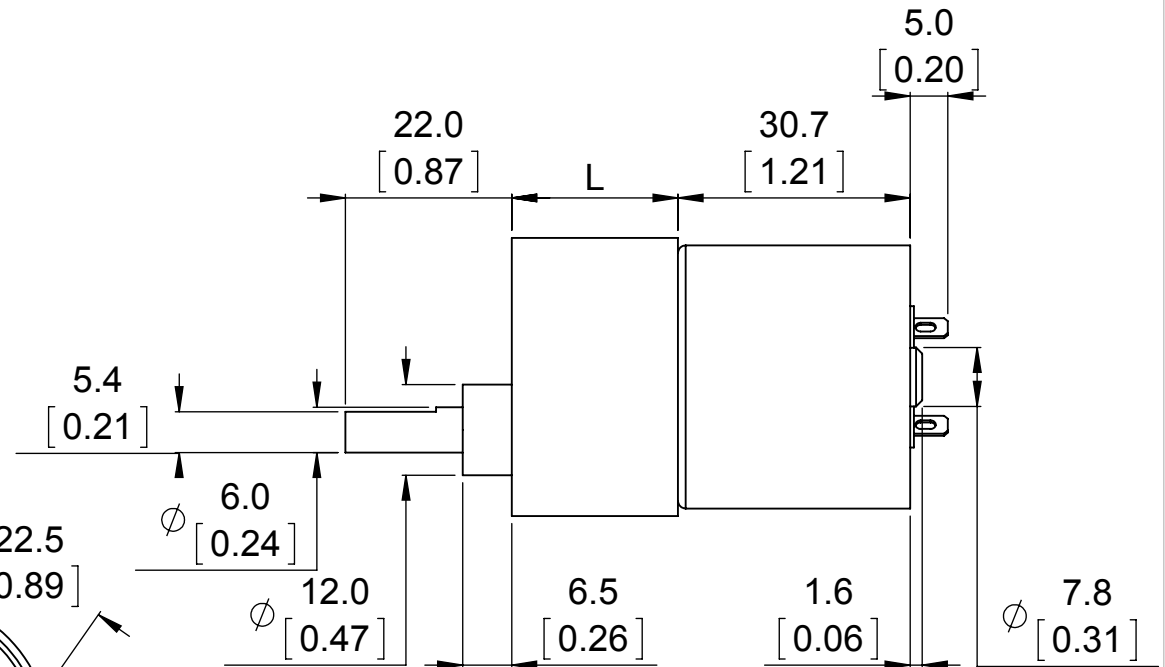
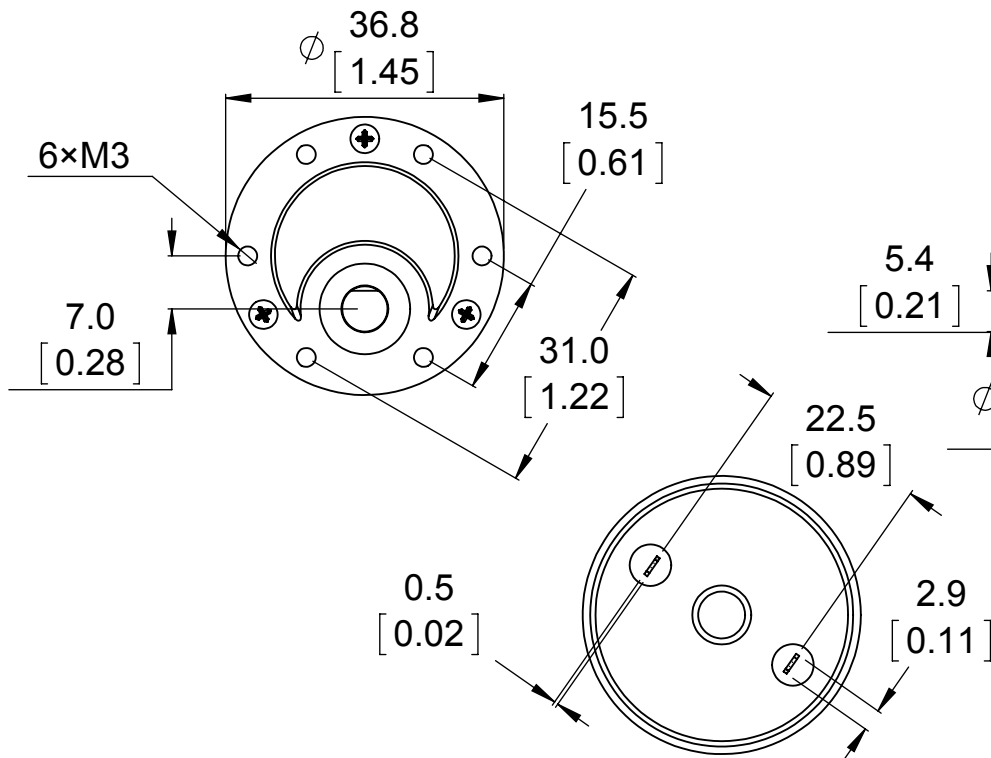
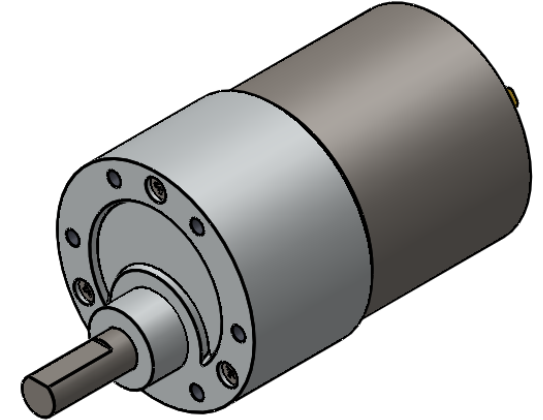


Gear ratio	L
19:1	22 mm [0.87 in]
30:1	22 mm [0.87 in]
50:1	24 mm [0.94 in]
70:1	24 mm [0.94 in]
100:1	26.5 mm [1.04 in]
131:1	26.5 mm [1.04 in]



1. To get the specified scale, select 100% in print settings.

Scale: 1:1

<https://www.pololu.com/category/116/37d-mm-gearmotors>

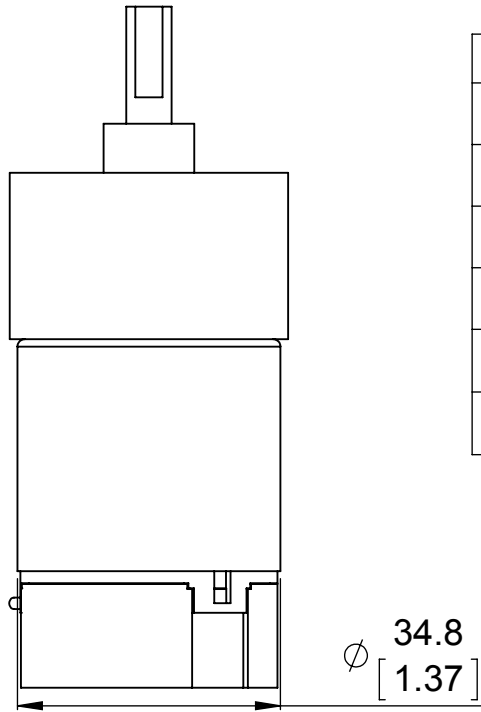
Name:
37D mm Metal Gearmotors (without encoders)

Drawing date:
18 January 2016

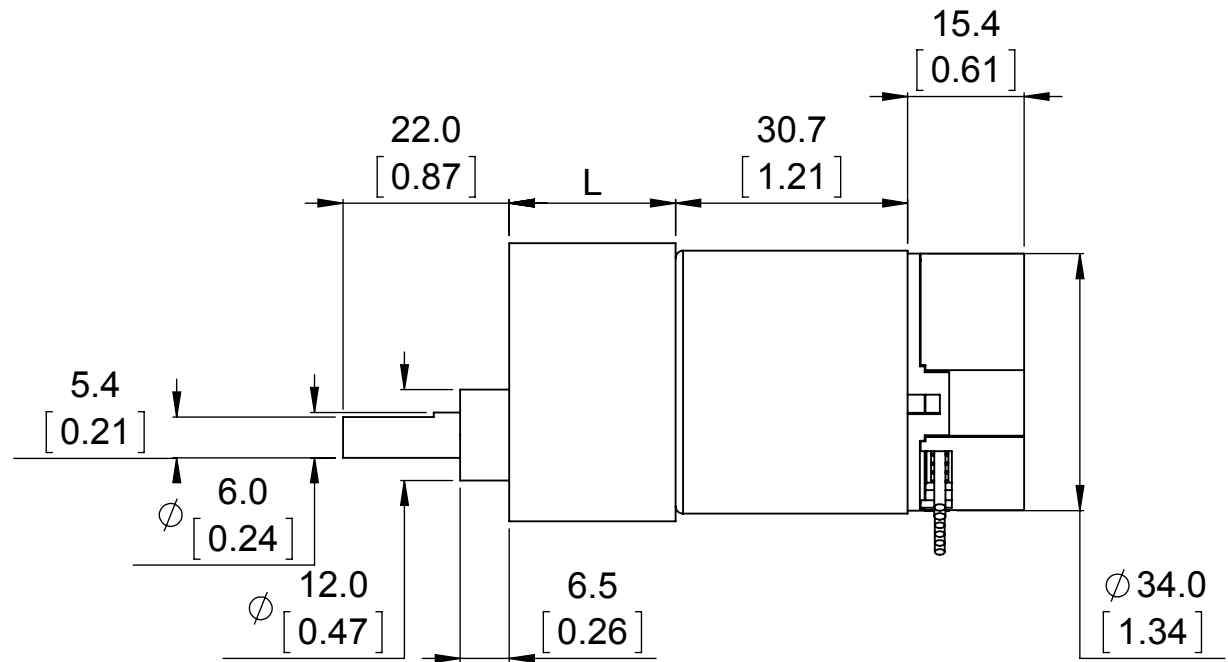
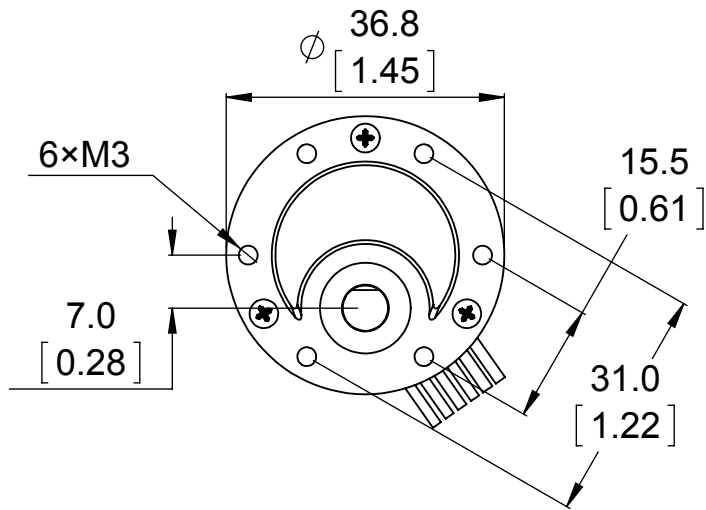
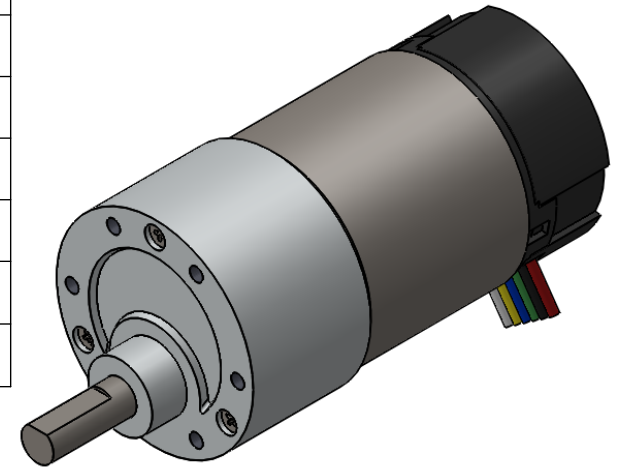
Units: mm
[in]

Material:
mix


© 2016 Pololu Corporation



Gear ratio	L
19:1	22 mm [0.87 in]
30:1	22 mm [0.87 in]
50:1	24 mm [0.94 in]
70:1	24 mm [0.94 in]
100:1	26.5 mm [1.04 in]
131:1	26.5 mm [1.04 in]



<https://www.pololu.com/category/116/37d-mm-gearmotors>

Name:
37D mm Metal Gearmotors (with encoders)

Drawing date:
18 January 2016

Units: mm [in] Material: mix



1. To get the specified scale, select 100% in print settings.

Scale: 1:1