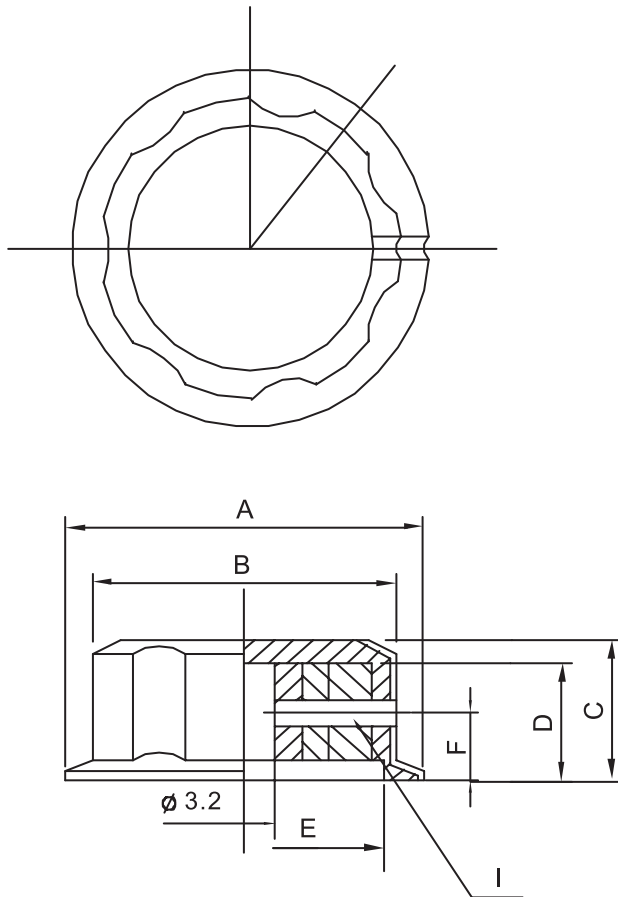


Date	Rev.	Description



	JK-901A	JK-901B	JK-901C	JK-901D
A	∅45.0	∅33.3	∅27.1	∅19.8
B	∅38	∅29.8	∅24.3	∅16.5
C	20.2	16.5	15.6	11.8
D	17.8	13.0	12.8	10.2
E	∅37	∅26.3	∅21.8	∅12.0
F	8.70	8.10	7.50	5.90
I	M4P07	M4P07	M4P07	M3P05

shaft hole: ∅3.2mm (1/8")

DCC. NO.
A4 DRAWING NO.

MATERIAL	GOLDSUN ELECTRONICS CO., LTD.			
	JAMECO NO.	GOLDSUN NO.		
	2239111	JK-901D-3.2(1/8")		
DRAWN:	Description			Rev.
VERIFY PEOPLE:				1
	UNIT:	SCALE:	SHEET 1 OF 1	CAS No:
	mm			ERN No: