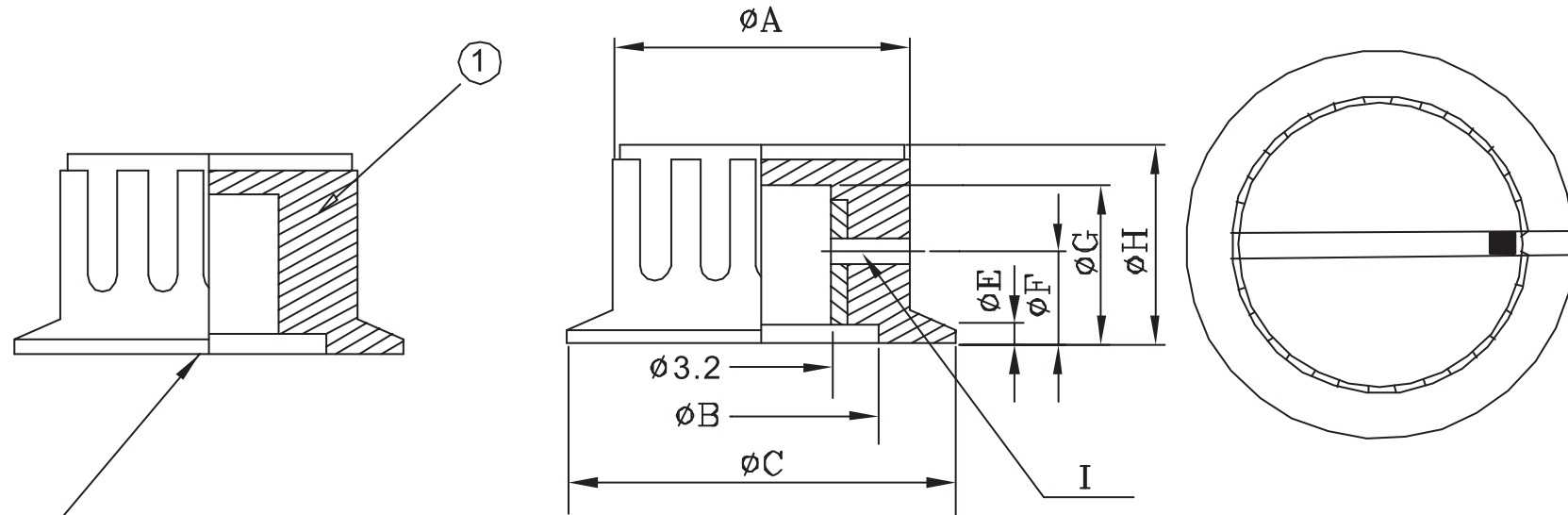


Date	Rev.	Description

	A	B	C	D	E	F	G	H	I
JK-906A	28.3	23	35.7	2.3	2.6	7.9	14.6	18.3	M4P07
JK-906B	19.7	14.3	24.5	1.7	5.30	9.0	18.1	20.1	M4P07
JK-906C	16.4	11.4	20.2	3.2	3.6	8.26	14.7	15.6	M4P07
JK-906D	12.7	9.6	15.5	3.0	3.7	7.5	12.8	14.8	M3P05



此種產品沒有尺寸F, I

shaft hole: $\phi 3.2\text{mm}$ (1/8")

DCC. NO.
A4 DRAWING NO.

MATERIAL		GOLDSUN ELECTRONICS CO., LTD.	
DRAWN: nomo		JAMECO NO. 2239138	GOLDSUN NO. JK-906D-3.2(1/8")
VERIFY PEOPLE: Chesley		Description	
		UNIT: mm	SCALE: SHEET 1 OF 1
		CAS No: ERN No:	
		Rev. 1	