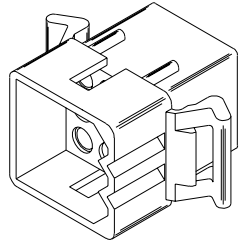
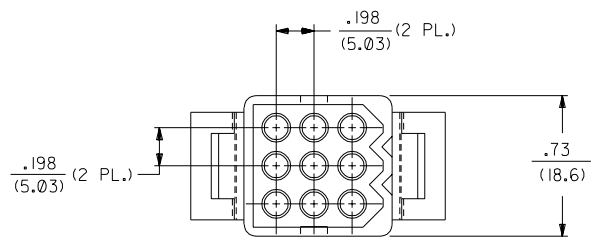
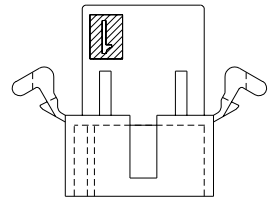
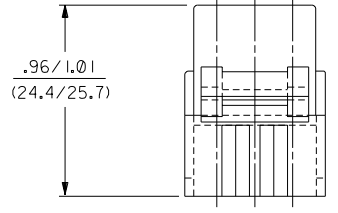
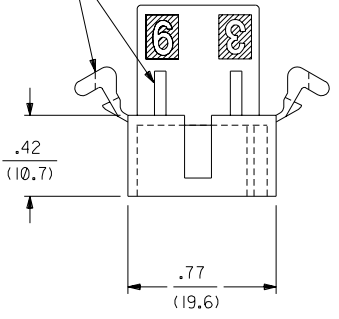


MOUNTING EAR AND RIB OPTION
SEE DETAIL 4 AND NOTE 3



STANDARD PLUG
(SHOWN WITH PREBENT MOUNTING EARS)

4	T	RI	REVISED ECN LIT 1268 WANG 97-4-22
3	S		
2	S	R	REV. & REDRAWN, ECR 119 0043 GEP 2-18-89 RW
1	T		

DIMENSIONS SHOWN (METRIC) INCH	
UNLESS OTHERWISE SPECIFIED TOLERANCES: ANGULAR $\pm .20$	
3 PLACE	$\pm .010$
2 PLACE	$\pm .014$ ± 0.25
1 PLACE	± 0.35
DRAFT WHERE APPLICABLE MUST REMAIN WITHIN DIMENSIONS	
DRWG. BY: GEP	CHK'D. BY: RW
APP'D. BY: RAS	SCALE: 2:1

FILE NAME: S1292X1.DGN	THIS DRAWING CONTAINS INFORMATION THAT IS PROPRIETARY TO MOLEX INC. AND SHOULD NOT BE USED WITHOUT WRITTEN PERMISSION
TITLE: .093/(2.36) HOUSING, PLUG AND RECEPTACLE, 9 CKT., .198/(5.03) CTRS.	
PART NO. MOLEX INCORPORATED	SHEET NO. DATE
L1SL,ILL. 60532	U.S.A. 1 OF 4 2/18/89
SEE CHART	SD-1292-*
DRWG. NO.	SIZE CP C

PLUG	
PART NO.	ENG. NO.
03-09-2091	I292-P
03-09-2092	I292-PI
03-09-7091	I292-PBK
03-09-7092	I292-PIBK
NOT TOOLED	I292-P2
27-09-2092	I292-PI-A

RECEPTACLE	
PART NO.	ENG. NO.
03-09-1091	I292-R
03-09-1092	I292-RI
03-09-6091	I292-RBK
03-09-6092	I292-RIBK
03-09-1093	I292-R2
03-09-6093	I292-R2BK
03-09-1094	I292-R3
03-09-6094	I292-R3BK
27-09-1093	I292-R2-A

LEGEND: PLUG

I292-P***-*

P = PLUG

BLANK = OPT. PLUG WITH PREBENT EARS

1 = STD. PLUG WITHOUT PREBENT EARS

2 = STD. PLUG WITH PREBENT EARS & RIBS

COLOR: BLANK=NATURAL COLOR

AM=AMBER BK=BLACK BU=BLUE

BN=BROWN GY=GRAY GN=GREEN

OR=ORANGE RD=RED YW=YELLOW

MATERIAL: BLANK = NYLON 6/6, U.L. 94V-2

A = NYLON 6/6, U.L. 94V-0

LEGEND: RECEPTACLE

I292-R***-*

R = RECEPTACLE

BLANK = WITH PREBENT EARS, WITH LOCK RAMP

1 = WITH PREBENT EARS, WITHOUT LOCK RAMP

2 = WITHOUT EARS, WITHOUT LOCK RAMP

3 = WITHOUT EARS, WITH LOCK RAMP

COLOR: BLANK=NATURAL COLOR

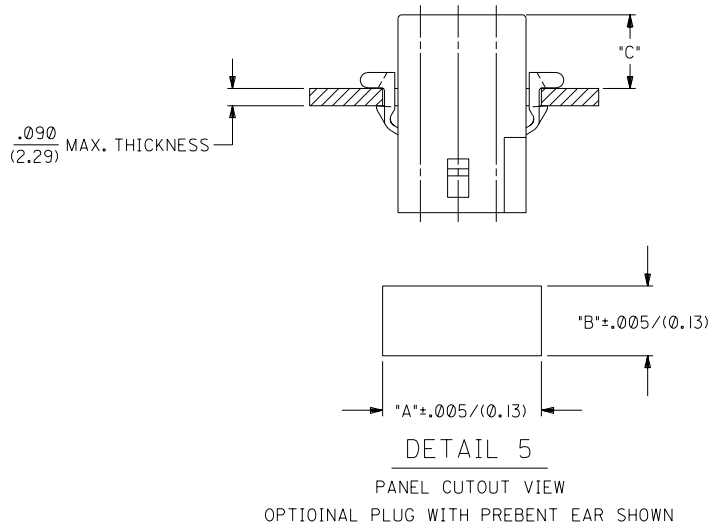
AM=AMBER BK=BLACK BU=BLUE

BN=BROWN GY=GRAY GN=GREEN

OR=ORANGE RD=RED YW=YELLOW

MATERIAL: BLANK = NYLON 6/6, U.L. 94V-2

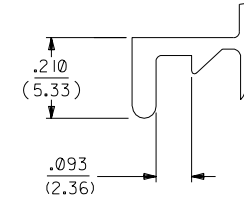
A = NYLON 6/6, U.L. 94V-0



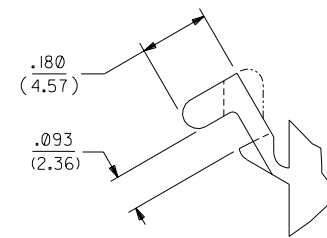
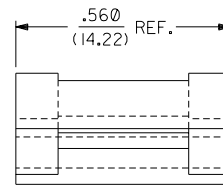
HOUSING	DIM. "A"	DIM. "B"	DIM. "C" (STD. EAR)	DIM. "C" (PREBENT)
STD. PLUG	.930/(23.62)	.760/(19.30)	N/A	.39/(9.9)
OPT. PLUG	.937/(23.80)	.660/(16.76)	.13/(3.3)	N/A
RECEPTACLE	.828/(21.03)	.725/(18.42)	.37/(9.4)	.41/(10.4)

NOTES:

- 1 THESE PARTS COMPLY WITH MOLEX PRODUCT SPEC. 02-09.
- 2 HOUSINGS FOR USE WITH MOLEX .093/(2.36) PIN AND SOCKET TERMINALS.
- 3 RIBS ARE PRESENT ONLY ON STANDARD PLUG WITH PREBENT MOUNTING EARS. FOR PLUG HOUSINGS REQUIRING MOUNTING EARS, ONLY PREBENT STYLE IS AVAILABLE.



DETAIL 3
.093/(2.36) STANDARD MOUNTING EAR
(SCALE 4:1)



DETAIL 4
.093/(2.36) PREBENT MOUNTING EAR
(SCALE 4:1)

DIMENSIONS SHOWN (METRIC) INCH UNLESS OTHERWISE SPECIFIED TOLERANCES: ANGULAR $\pm .002$		REVISE ONLY ON CAD SYSTEM	
3 PLACE $\pm .010$ ---		TITLE .093/(2.36) HOUSING, PLUG AND RECEPTACLE, 9 CKT. $\pm .198 / (5.03)$ CTRS.	
2 PLACE $\pm .014 \pm 0.25$		MOLEX INCORPORATED SHEET NO. DATE U.S.A. 4 2/18/89	
1 PLACE --- ± 0.35		PART NO. DRWG. NO. SEE CHART SD-1292-*	
DRAFT WHERE APPLICABLE MUST REMAIN WITHIN DIMENSIONS		FILE NAME DIV. SIZE 51292X4 06A CP C	
DRWG. BY: GEP	CHK'D. BY: RW	THIS DRAWING CONTAINS INFORMATION THAT IS PROPRIETARY TO MOLEX INC. AND SHOULD NOT BE USED WITHOUT WRITTEN PERMISSION	
APP'D. BY: RAS	SCALE: 2:1		

LTR.	REVISIONS	LTR.	REVISIONS
	T	SEE SHT. I	
	S2	SEE SHT. I	
	S1	SEE SHT. I	
	S	SEE SHT. I	
	R	SEE SHT. I	