

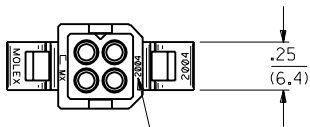
Distributed by:

JAMECO[®]
ELECTRONICS

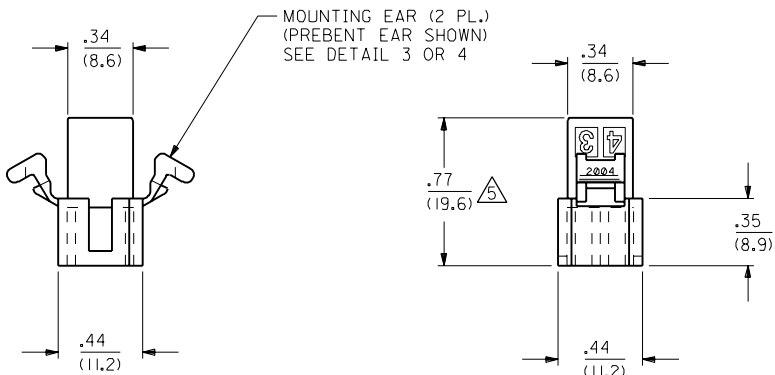
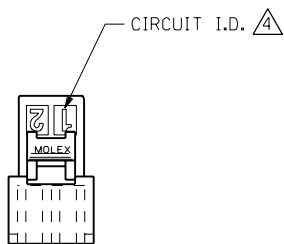
www.Jameco.com ♦ 1-800-831-4242

The content and copyrights of the attached
material are the property of its owner.

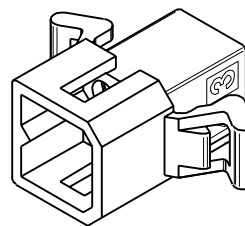
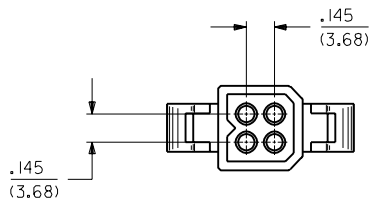
Jameco Part Number 224514



ENG. NO. LOCATION FOR PARTS W/O MTC. EARS



MOUNTING EAR (2 PL.) (PREVENT EAR SHOWN) SEE DETAIL 3 OR 4



PLUG HOUSING

K	3	K	OBsolete P/N UCR2002-0270 COMERC 01/10/1
J2			X-REMOVE PER ECN U3 0816 GC 5/25/93 RW
J1			X-RELEASE PER ECN U3 0769 GC 5/18/93 RW
J			REV. PER ECN U2-1825 AFG 92-12-18 RW
I	2	I	REDRAWN & REV'D. ON CAD. ECR U1 1774 GC 8/27/91
K	1	K	
MFG. SH.	REV.	LTR.	REVISIONS

REVISE ONLY ON CAD SYSTEM

TITLE: **PLUG AND RECEPTACLE HOUSINGS, 4 CIRCUIT .062/(1.57) DIA.**

DATE: 8/27/91

MOLEX INCORPORATED U.S.A.

FILE NAME: H2004C4 S04

SCALE: 2: 1

DRWG. NO.: SD-2004-*

DRWG. BY: GC

CHK'D. BY: RW

APP'D. BY: RS

THIS DRAWING CONTAINS INFORMATION THAT IS PROPRIETARY TO MOLEX INC. AND SHOULD NOT BE USED WITHOUT WRITTEN PERMISSION.

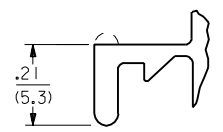
PLUG		PART NO.	ENG. NO.
PART NO.	ENG. NO.		
03-06-2043	2004-P		
03-06-7043	2004-PBK		
03-06-2044	2004-PI		
03-06-7044	2004-PIBK		
PRELIMINARY	2004-P2		
03-06-7045	2004-PIRD	OBSOLETE	
03-06-7046	2004-PIBN	OBSOLETE	
03-06-7047	2004-PIOR	OBSOLETE	

RECEPTACLE		PART NO.	ENG. NO.	
PART NO.	ENG. NO.			
03-06-1043	2004-R			
03-06-6043	2004-RBK			
03-06-1044	2004-RI			
03-06-6044	2004-RIBK	OBSOLETE		
03-06-1046	2004-R3	OBSOLETE		
03-06-1052	2004-R5	OBSOLETE		
03-06-6052	2004-R5BK	OBSOLETE		
PRELIMINARY	2004-R2			
03-06-6045	2004-RRD	OBSOLETE		
03-06-6046	2004-RBN	OBSOLETE		
03-06-6048	2004-ROR	OBSOLETE		

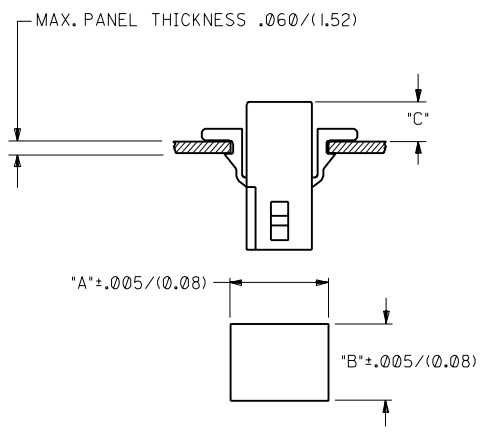
LEGEND:

2004-***
 P = PLUG
 R = RECEPTACLE
 BLANK = WITH STANDARD EARS
 1 = WITHOUT EARS
 2 = WITH PREBENT EARS
 3 = W/O EARS, W/O DETENTS
 5 = W/O EARS, WITH POSITIVE LOCKS

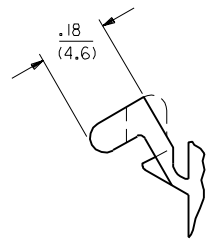
COLOR:
 BLANK = NATURAL
 AM=AMBER BK=BLACK BU=BLUE
 BN=BROWN GY=GRAY GN=GREEN
 OR=ORANGE RD=RED YW=YELLOW



NOTE:
 THIS DRAWING ENCOMPASSES ALL 2004 SERIES HOUSINGS EXCEPT 2004-R7.



- NOTES:**
- MATERIAL - NYLON TYPE 6/6, 94V-2
 - THIS PRODUCT COMPLIES WITH MOLEX PRODUCT SPEC 02-06.
 - HOUSINGS FOR USE WITH MOLEX .062/(1.57) DIA. SERIES TERMINALS.
 - CIRCUIT I.D. NUMBERS ON SIDE OF HOUSING APPEAR ON PARTS FROM TOOLS BUILT AFTER 8/26/91.
 - THIS DIMENSION .020/(0.51) LESS ON TOOLS BUILT PRIOR TO 8/26/91.



RECOMMENDED HOLE PATTERN

HOUSING	DIM. "A"	DIM. "B"	PREBENT EAR DIM. "C"	STD. EAR DIM. "C"
PLUG	.615 (15.62)	.465 (11.81)	.26 (6.6)	.26 (6.6)
RECEPTACLE	.506 (12.85)	.400 (10.16)	.24 (6.1)	.24 (6.1)

DETAIL 4

PREBENT MOUNTING EARS
 (SCALE 4:1)

DETAIL 3

STANDARD MOUNTING EARS
 (SCALE 4:1)

DIMENSIONS SHOWN (METRIC) INCH UNLESS OTHERWISE SPECIFIED TOLERANCES ANGULAR 1/16 10		REVISE ONLY ON CAD SYSTEM	
INCH METRIC 3 PLACE ± .010 --- 2 PLACE ± .014 ± 0.25 1 PLACE --- ± 0.36		TITLE PLUG AND RECEPTACLE HOUSINGS, 4 CIRCUIT .062/(1.57) DIA.	
DRAFT WHERE APPLICABLE MUST REMAIN WITHIN DIMENSIONS		MOLEX INCORPORATED U.S.A. SHEET NO. 3 DATE 8/28/91	
DRAWN BY JJS CHK'D BY RW APP'D BY RS SCALE 2:1		PART NO. SD-2004-# SEE CHART	
LTR. REVISIONS		THIS DRAWING CONTAINS INFORMATION THAT IS PROPRIETARY TO MOLEX INC. AND SHOULD NOT BE USED WITHOUT WRITTEN PERMISSION.	