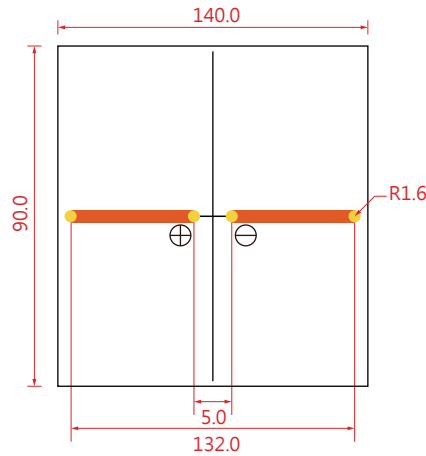
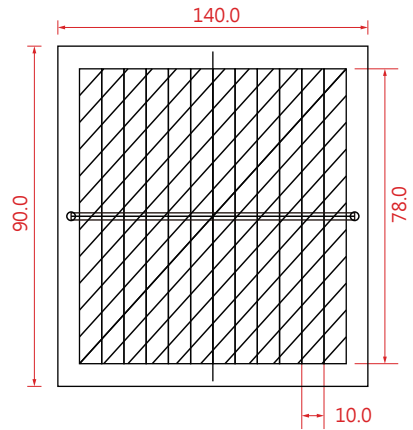
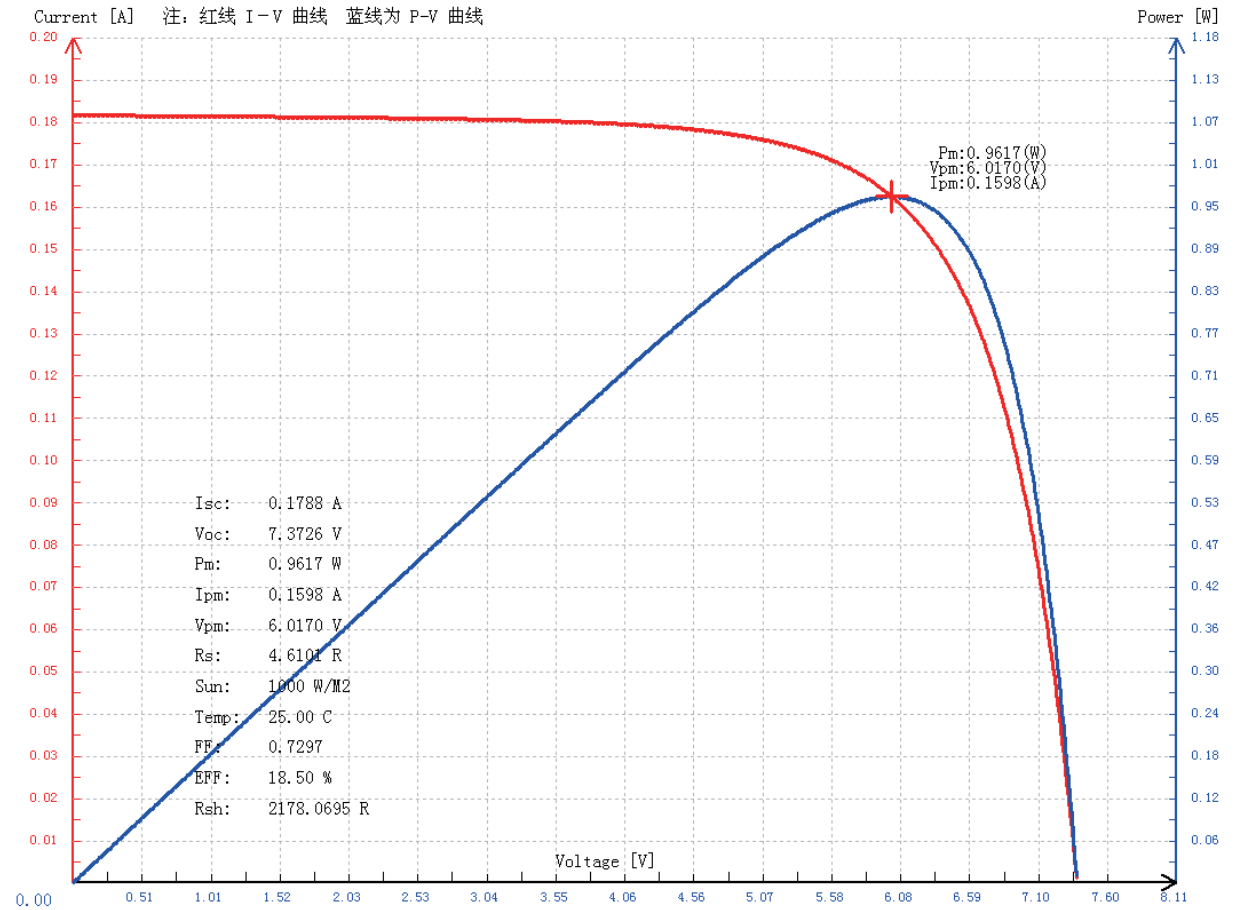


Date	Rev.	Description



SPECIFICATION:

- 1、Metric dimensions : 140*90mm
- 2、Thickness: 2.7mm
- 3、Chip:Polysilicon,Conversion rate 16-17%
- 4、Electrical performance: 7 Volts 250mA 1.75 Watt
- 5、Black PCB,Epoxy glue,Solar Panel with Alligator Clips and 130mm wire



DCC. NO.
A4 DRAWING NO.

MATERIAL		GOLDSUN ELECTRONICS CO., LTD.	
DRAWN: Johnson		JAMECO NO.	GOLDSUN NO.
VERIFY PEOPLE: Chesley		Description	
		Rev. 1	
UNIT: mm	SCALE:	SHEET 1 OF 1	CAS No: ERN No: