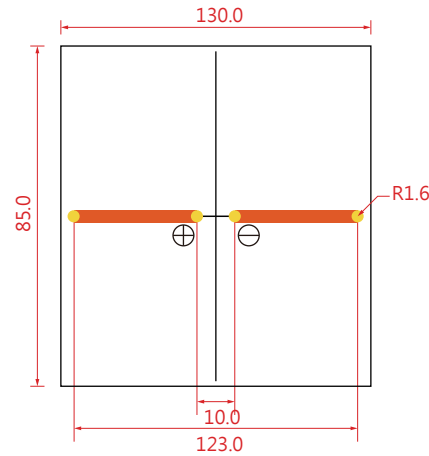
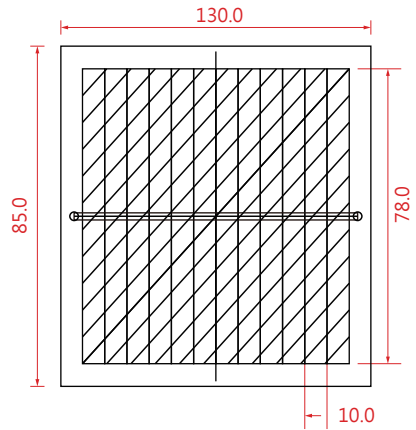
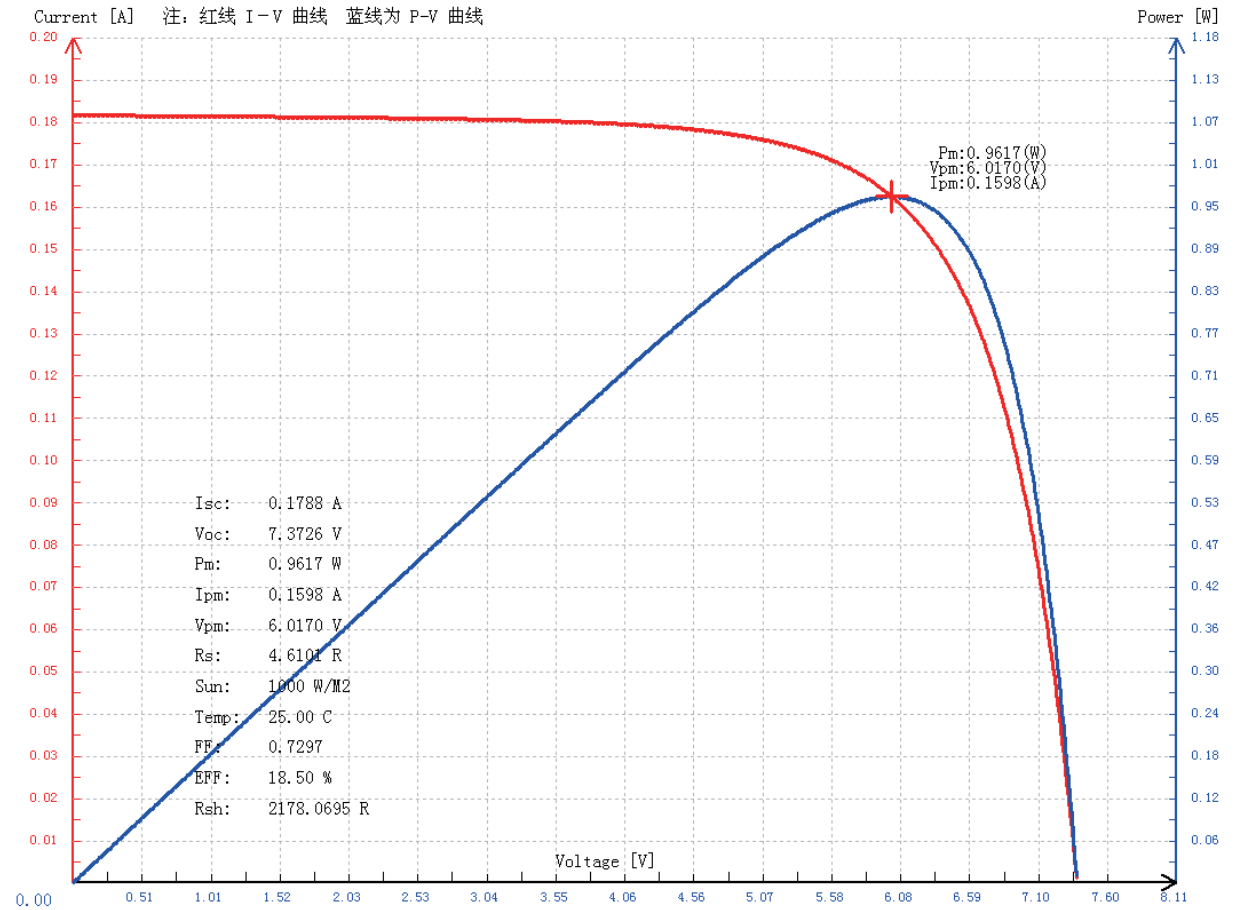


Date	Rev.	Description



SPECIFICATION:

- 1、Metric dimensions : 130*85mm
- 2、Thickness: 2.7mm
- 3、Chip:Polysilicon,Conversion rate 16-17%
- 4、Electrical performance: 6 Volts 270mA 1.6 Watt
- 5、Black PCB,Epoxy glue,Solar Panel with Alligator Clips and 130mm wire



DCC. NO.
A4 DRAWING NO.

MATERIAL		GOLDSUN ELECTRONICS CO., LTD.	
		JAMECO NO.	GOLDSUN NO.
DRAWN: Johnson		Description	
VERIFY PEOPLE: Chesley		Rev. 1	
UNIT: mm	SCALE:	SHEET 1 OF 1	CAS No: ERN No: