

Distributed by:

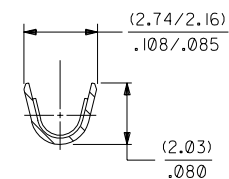
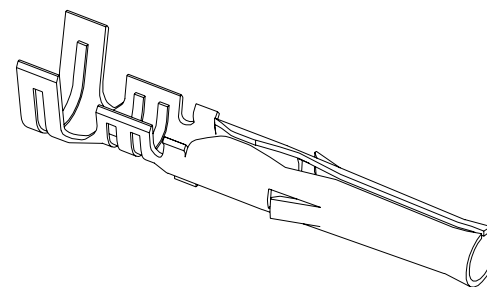
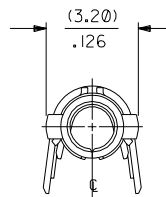
**JAMECO**<sup>®</sup>  
ELECTRONICS

**www.Jameco.com ♦ 1-800-831-4242**

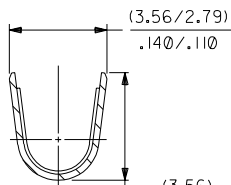
The content and copyrights of the attached  
material are the property of its owner.

**Jameco Part Number 224557 (02-06-1103)**

PART NO.	ENG. NO.
02-06-1101	1561-(P901)
02-06-1103	1561-(P901)L
02-06-5101	1561-(P561)
02-06-5102	1561-(P561)L
02-06-5108	1561-(P563)
02-06-5109	1561-(P563)L
02-06-5100	1561-(P550)
02-06-5103	1561-(P550)L
02-06-5105	1561-(P591)
02-06-5104	1561-(P591)L
02-06-1118	1561-(P901)
NOT TOOLED	1561-(P901)L



SECT. "B-B"  
SCALE: 10X



SECT. "C-C"  
SCALE: 10X

LEGEND

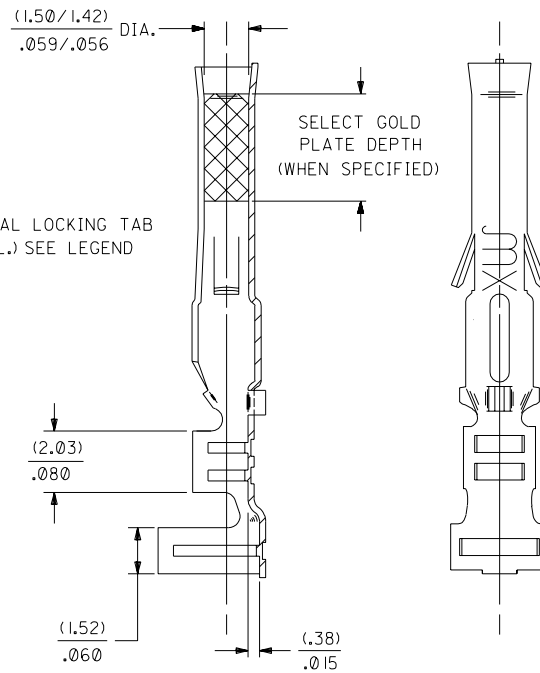
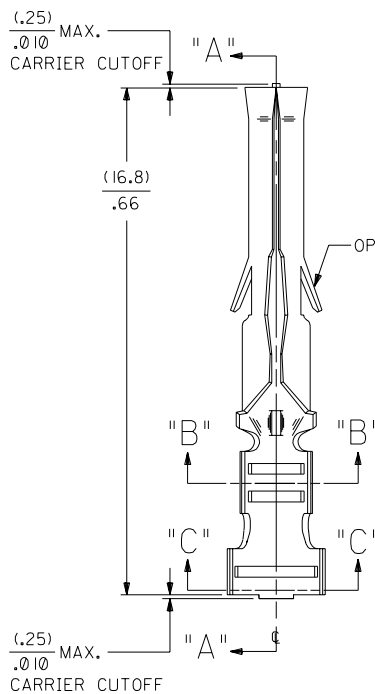
1561-\*(\*\*\*\*)\*  
 BLANK=WITH LOCKING TABS  
 I=WITHOUT LOCKING TABS  
 P=PREPLATE  
 BLANK=POSTPLATE  
 FORM  
 BLANK=CHAIN  
 L=LOOSE  
 FINISH CODE

NOTES:

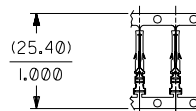
- TERMINAL FOR USE WITH (1.57)/.062 DIA. SERIES HOUSINGS AND WILL ACCEPT 18 THRU 24 AWG WIRE WITH (1.52/3.05)/.060/.120 INSULATION DIA.
- THIS PART CONFORMS TO PRODUCT SPEC. 02-06.

FINISH CODES:

- 901 HOT TIN DIP (.00051)/.000020 MIN.
- 563 SELECT GOLD PLATE (.00076)/.000030 MIN. IN CONTACT AREA, SELECT TIN-LEAD (.00254)/.000100 MIN. IN CRIMP AREA OVER (.00127)/.000050 MIN. NICKEL OVERALL.
- 561 SELECT GOLD PLATE (.00076)/.000030 MIN. IN CONTACT AREA, OVER (.00127)/.000050 MIN. NICKEL OVERALL.
- 591 SELECT GOLD PLATE (.00127)/.000050 MIN. IN CONTACT AREA, OVER (.00127)/.000050 MIN. NICKEL OVERALL WITH (.000025)/.000010 MAX. GOLD FLASH OVERALL.
- 550 SELECT GOLD PLATE (.00038)/.000015 MIN. IN CONTACT AREA, OVER (.00076)/.000030 MIN. NICKEL OVERALL WITH (.000025)/.000010 MAX. GOLD FLASH OVERALL.



SECT. "A-A"



CARRIER VIEW  
ACTUAL SIZE

MATERIAL NOTE:

CARTRIDGE BRASS, ALLOY #C26000,  
(.20)/.008 THICK, EXTRA SPRING TEMPER

DIMENSIONS SHOWN (METRIC) INCH UNLESS OTHERWISE SPECIFIED TOLERANCES: ANGULAR ± 1/2°		▽ = 0 ◻ = 0		REVISE ONLY ON CAD SYSTEM	
3 PLACE ± .010 ---		TITLE		CRIMP TERMINAL, FEMALE (1.57)/.062 DIA. FOR 18 THRU 24 GA. WIRE	
2 PLACE ± .014 ± 0.25		MOLEX INCORPORATED		SHEET NO. DATE 1 OF 1 8/20/87	
1 PLACE --- ± 0.35		MOLEX INCORPORATED LITSE, ILL. 60532 U.S.A.		DRAWG. NO. SD-1561-*	
DRAWG. BY: GEP		CHK'D. BY: RW		FILE NAME: SD1561X1	
APP'D. BY: RAS		SCALE: 8:1		THIS DRAWING CONTAINS INFORMATION THAT IS PROPRIETARY TO MOLEX INC. AND SHOULD NOT BE USED WITHOUT WRITTEN PERMISSION.	

AO	REINSTATE 02065105 UCP2003-1827 ELHAC, 03/02/24
AN	OBSOLETE P/N UCR2002-0270 COMERCI 01/9/25
AMI	ADDED ISO VIEW UCR1998-0248 WANG 98-05-21
AM	REV. AND REDRAWN PER ECR 10372 GEP 8-20-87 RW