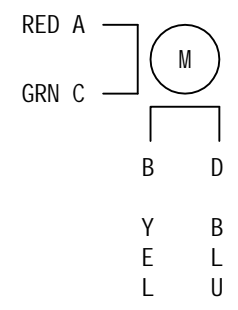
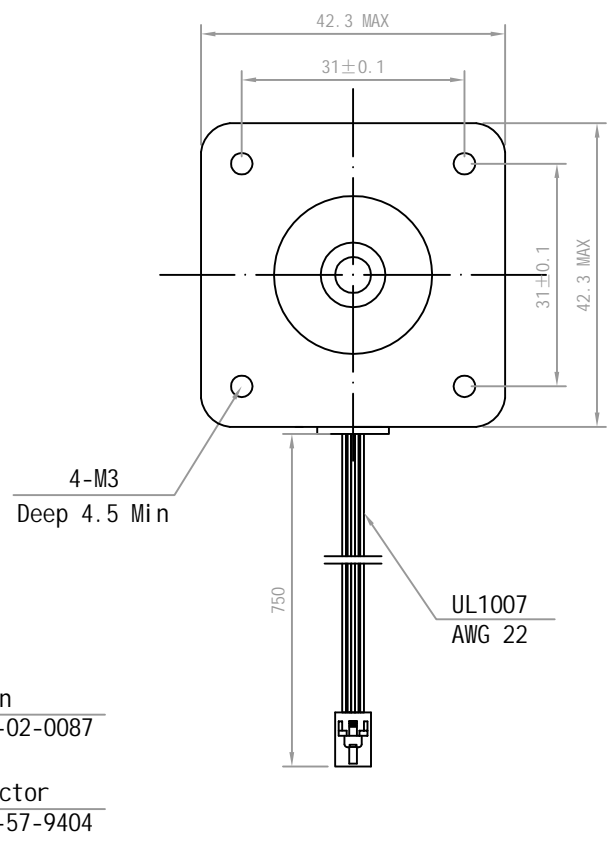
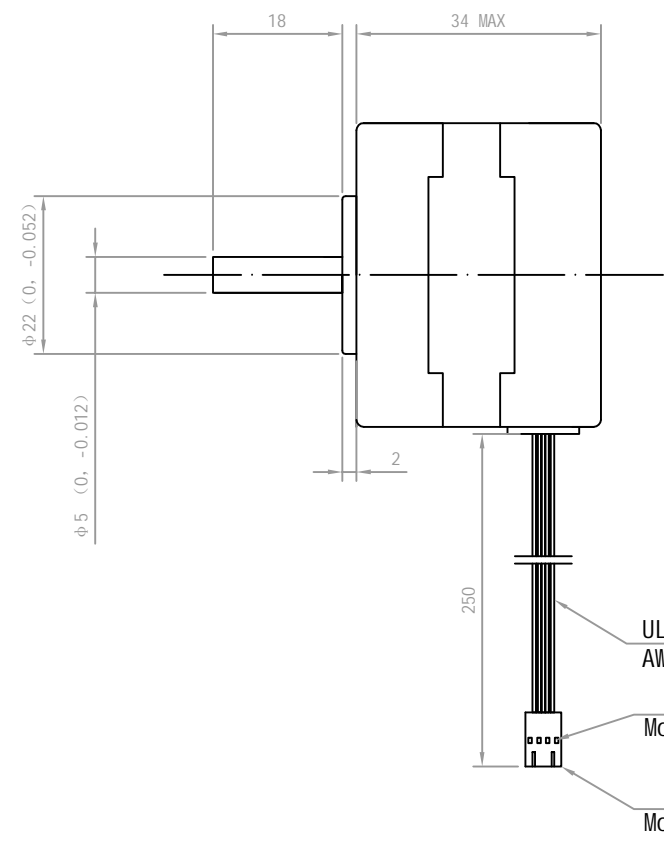


| Rev. | Description | Date |
|------|-------------|------|
| 01 | | |



UL1007
AWG 22
Pin
Mol ex 16-02-0087
Connector
Mol ex 50-57-9404

UL1007
AWG 22

| No. | Item | Speci fi cation | No. | Item | Speci fi cation |
|-----|----------------------|-----------------|-----|-----------------------|-----------------|
| 1 | Number of Phase | 2 | 7 | Insulation Class | B |
| 2 | Step Angle | 1.8° ± 5% | 8 | Insulation Resistance | 100M Ω (500VDC) |
| 3 | Rated Voltage | 3.24V DC | 9 | Holding Torque | 2.4Kg. cm |
| 4 | Rated Current | 1.2A/Phase | | | |
| 5 | Resistance Per Phase | 2.7 Ω ± 10% | | | |
| 6 | Inductance Per Phase | 5mH ± 20% | | | |

| Drawn | Bruce | 04/24/2017 | Unit: mm | |
|------------------------|-------|------------|---|-------------|
| Checked | Nina | 04/24/2017 | Kysan Electronics www.kysanelectronics.com info@kysanelectronics.com | |
| Eng Appr. | | | | |
| Mfg Appr. | | | | |
| Q.A. | | | | |
| SKU: 1124108 | | | Size :A4 | Weight(Kg): |
| | | | Scale 1:1 | |