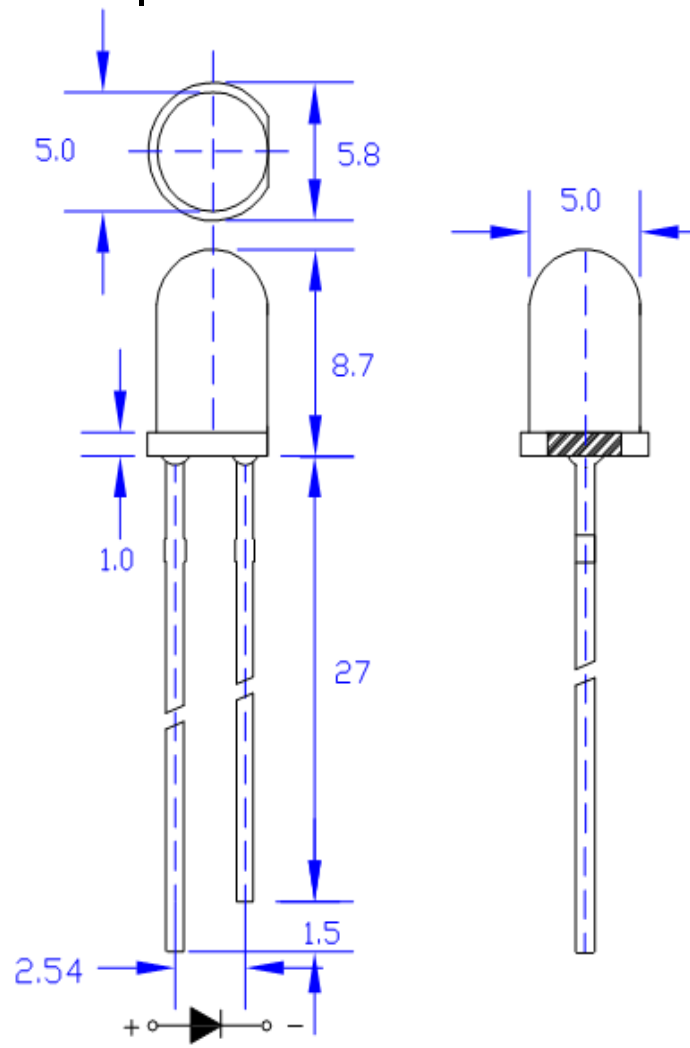


Product specification



Remark

All unit is mm ,tolerance is $\pm 0.25\text{mm}$

Type: 5B3AIR-10

Name: 940 INFRARED

Maximum Characteristic(Tem=25°C)

	Maximum Characteristic	Unit
Power Dissipation	100	MW
Pulse Current	60	MA
Forwad Current	30	MA
Reverse Voltage	6	V
Operation Temperature	-55°C TO +100°C	
Storage Temperature	-55°C TO +100°C	
Lead Soldering Temp	260°C for 5 seconds	

Electro-Optical Characteristic(Tem=25°C)

Parameter	Symbol	Min	Typ	Max	Unit	Condition
Limious distance	L	18	19	20	m	IF=20MA
limious angle	$\Delta\theta$		45		deg	
Peak wavelength	λ_p		940		nm	
Forwad Voltage	VF	1.2		1.6	V	IF=20MA
Reverse Current	IR			10	μA	VR=5V