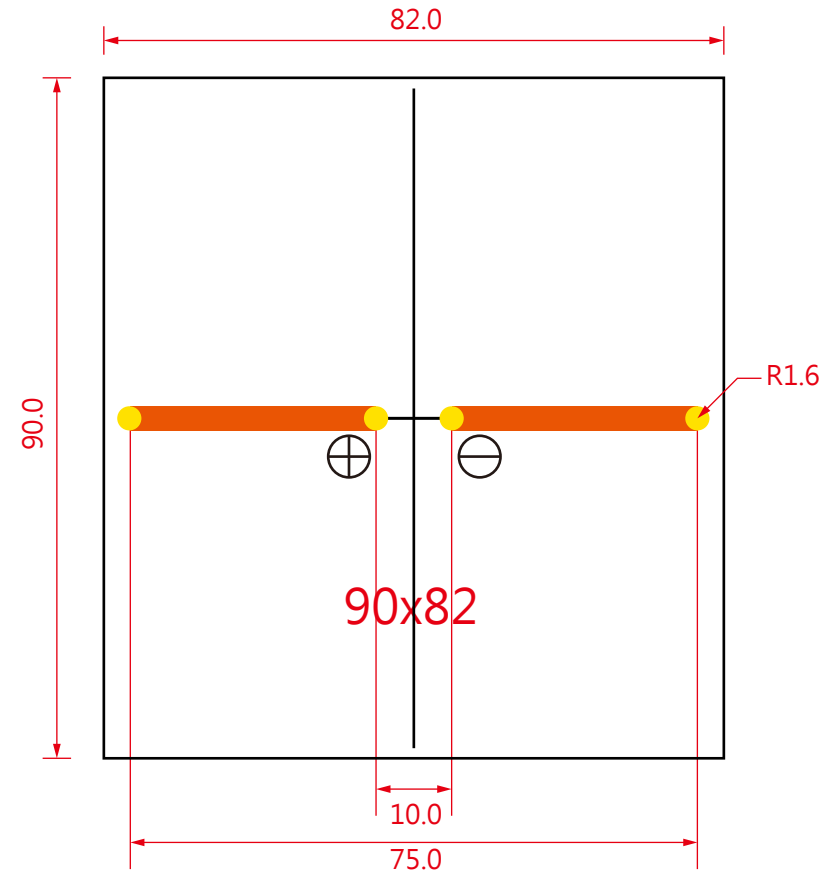
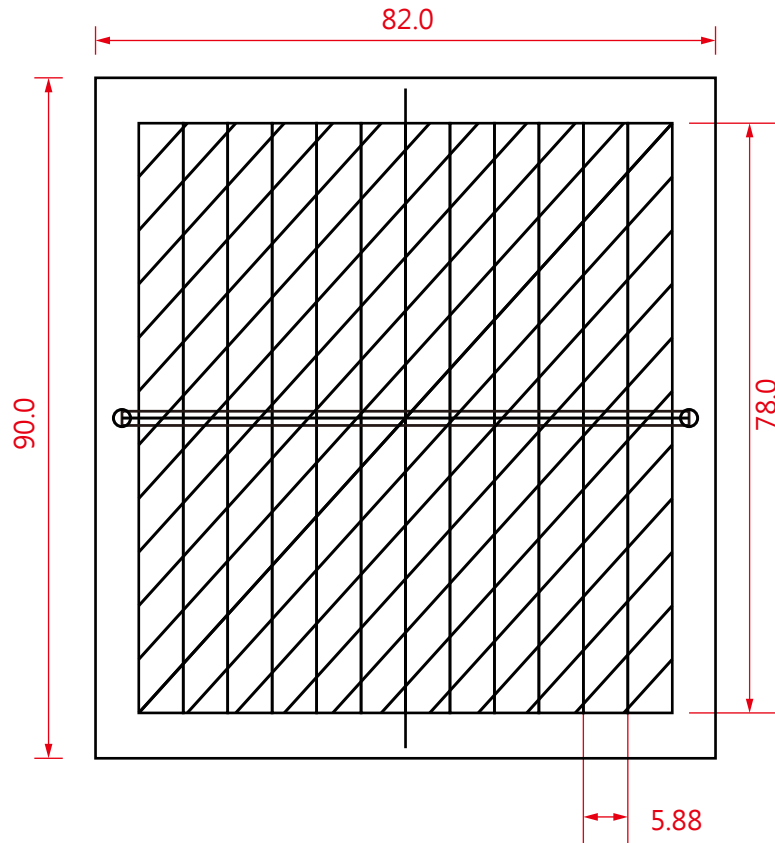


Date	Rev.	Description



SPECIFICATION:

1. Metric dimensions:90*82mm
2. Thickness;2.7mm
3. Chip: Polysilicon ,Conversion rate 16-16.5%
4. Electrical performance : 6 Volts 150mA 0.9 Watt
5. Black PCB,Epoxy glue,Solar Panel with Alligator Clips and 130mm wire

DCC. NO.
A4 DRAWING NO.

MATERIAL			
		JAMECO NO. 2260041	
DRAWN: Johnson		Description	Rev. 1
VERIFY PEOPLE: Chesley		UNIT: mm	SCALE:
		SHEET 1 OF 1	CAS No: ERN No: