

GlobTek, Inc.
 www.globtek.com
 186 Veterans Drive,
 Northvale, NJ 07647
 Tel. (201) 784-1000
 Fax (201) 784-0111

Drawing Title: GTM21097-5012, Medical Power Supply, Efficiency Level: Meets/Exceeds for Medical, Case Color/Style: GlobTek Black, Desktop/External, Regulated Switchmode AC-DC, Input Rating: 100-240V~, 50-60 Hz, IEC 60320/C14 , Output Rating: 50W, 12V@4.17A, Output Configuration: 1830 mm, 18/2 Cond, SPT-1, Female Barrel 5.5 * 2.5 * 11mm with internal Spring Clip and Locking Notch or Equal, Ferrite: None, GlobTek Black, GT Cord # C0336, Pin Out: Center Positive (+V), Blades/Input Cord: Not Applicable, Approvals: CB, CE, China RoHS, Class I, cUR, GOST-R, IP40, Korea (12V Only), PSE, RoHS 2, SIQ, Ukraine, VCCI, WEEE

Model No. GTM21097-5012

Part No. TR9CE4000LCP-Y-MED(R)

Rev L

REVISION HISTORY

REV	DESCRIPTION	SUB	DATE	APPROVED
L	Remove TUV and Caution french words from label	QA	07/17/2014	QA
K	Update to SF format, add French to Caution, circle '30', iBOOK, KCC, Ukraine	QA	06/13/2014	QA

In Addition to GlobTek Inc.'s renewed ISO9001:2008 - Quality Management System Certification, GlobTek Inc. is now certified to:

ISO13485:2003 - Medical Devices Quality Management System Certification
 ISO14001:2004 - Environmental Management System Certification

ISO Certificates are available On-Line at <http://www.globtek.com/iso-certificates.php>

Customer Approval of Specification:

Please approve, sign and send back to GlobTek so we can complete order processing.

A delay in receipt of this form will delay delivery schedule.

Company Name:

Customer P/N:

Quote Number:

Date:

Authorized Representative Name:

Authorized Representative Signature:

Footnote:

GlobTek Inc. will not be liable for the safety and performance of these power supplies if unauthorized access and repair occurs. End user should consult applicable UL, CSA or EN standards for proper installation instruction.

Limitation of Use:

GlobTek product are not authorized for use as mission critical components in life support hazardous environment, nuclear or aircraft applications without prior written approval from the CEO of GlobTek Inc.
 Contents of this document are subject to change without prior notice.

RELEASED

By N.Frost at 11:53 am, Jul 18, 2014

GTM21097-5012, 50W, 12V@4.17A, Desktop/External, Regulated Switchmode AC-DC

GlobTek, Inc. www.globtek.com 186 Veterans Drive, Northvale, NJ 07647 Tel. (201) 784-1000 Fax (201) 784-0111	Drawing Title: GTM21097-5012, Medical Power Supply, Efficiency Level: Meets/Exceeds for Medical, Case Color/Style: GlobTek Black, Desktop/External, Regulated Switchmode AC-DC, Input Rating: 100-240V~, 50-60 Hz, IEC 60320/C14 , Output Rating: 50W, 12V@4.17A, Output Configuration: 1830 mm, 18/2 Cond, SPT-1, Female Barrel 5.5 * 2.5 * 11mm with internal Spring Clip and Locking Notch or Equal, Ferrite: None, GlobTek Black, GT Cord # C0336, Pin Out: Center Positive (+V), Blades/Input Cord: Not Applicable, Approvals: CB, CE, China RoHS, Class I, cUR, GOST-R, IP40, Korea (12V Only), PSE, RoHS 2, SIQ, Ukraine, VCCI, WEEE	
	Model No. GTM21097-5012	
	Part No. TR9CE4000LCP-Y-MED(R)	Rev L

POWER SUPPLY INFORMATION

TYPE: Desktop/External
TECHNOLOGY: Regulated Switchmode AC-DC
CASE COLOR: GlobTek Black
NAMEPLATE RATED INPUT: 100-240V~, 50-60 Hz, 1.6A Max
INPUT CONFIG: IEC 60320/C14
WATTS: 50.0
VOLTS OUT: 12
CURRENT OUT (Amps): 4.17
BLADE/CORD INCLUDED: N/A: Not Applicable
BLADE/CORD INSTALLED: N/A: Not Applicable
EFFICIENCY LEVEL: Meets/Exceeds for Medical
OUTPUT CONFIGURATION: 1830 mm, 18/2 Cond, SPT-1, Female Barrel 5.5 * 2.5 * 11mm with internal Spring Clip and Locking Notch or Equal, Ferrite: None, GlobTek Black, GT Cord # C0336
CONNECTOR PIN OUT: Center Positive (+V)
LABEL SPECS: Standard GT,L-1186
PACK SPEC: Standard DT, Individually Box

NOTES / DEVIATIONS:

DIMENSIONS ARE IN MM UNLESS SPECIFIED OTHERWISE.

ELECTRICAL SPECIFICATIONS

A) ELECTRICAL SPECIFICATIONS:

1. Input Voltage: Specified 90-264 Vac, Nameplate rated: 100-240Vac
2. Input Frequency: Specified 47-63 Hz, Nameplate rated 50-60Hz
3. Output Regulation: +/- 5% measured at the output connector
4. Line Voltage Regulation: +/- 1% typical measures at full load
5. Output Ripple (Vp-p): 1% of output voltage typical measured at 20 MHz bandwidth with 0.1 uf ceramic capacitor in parallel with 10 uf electrolytic capacitor connected at the end of output connector at nominal line
6. Turn-On/Turn-Off Overshoot: 5% maximum, mS typical recovery time for 25% step load
7. Turn-On Delay: 1 S second typical
8. Hold-Up Time: 10mS typical @ nominal input voltage & full load
9. Inrush Current: 20A typical @ 115Vac input ; 30A typical @ 230Vac input
10. Switching Frequency: 100 KHz typical

B) PROTECTION

1. Over-Voltage: Voltage limited by crowbar unit will recover upon removal of fault
2. Short Circuit: Hiccup, unit will recover upon removal of fault
3. Input Protection: Input line & neutral fusing

C) SAFETY

1. Dielectric Withstand Voltage: 5656Vdc from primary to secondary
2. Earth Leakage Current: Did not exceed 5 mA in NORMAL CONDITION and 10 mA in SINGLE FAULT CONDITION
3. Touch Current: Did not exceed 100uA NC(Normal condition) 500uA SFC(single fault condition)
4. Earth continuity test:<0.1 Ohm or < 0.2 Ohm when with a non-detachable Power Supply cord, Class I Only
5. Earth Ground: Functional (Class I, (3) Pin Inlet)

D) OTHER:

1. MTBF: 200,000 hours @ 25°C ambient temperature
2. Operating Temperature: 0°C to 40°C ambient temperature
3. Humidity: 0% to 90% relative humidity
4. Storage Temperature: -10°C to 80°C
5. Ingress Protection: IPX0

PROPRIETARY INFORMATION

PROPRIETARY OF GLOBTEK, INC. ANY REPRODUCTION, DISCLOSURE OR USE OF THIS DRAWING, IN WHOLE OR IN PART, IS HEREBY PROHIBITED EXCEPT AS SPECIFIED IN WRITING BY GLOBTEK, INC.

QA/07/18/2014 10:52:15 AM

GlobTek, Inc.
www.globtek.com
186 Veterans Drive,
Northvale, NJ 07647
Tel. (201) 784-1000
Fax (201) 784-0111

Drawing Title: GTM21097-5012, Medical Power Supply, Efficiency Level: Meets/Exceeds for Medical, Case Color/Style: GlobTek Black, Desktop/External, Regulated Switchmode AC-DC, Input Rating: 100-240V~, 50-60 Hz, IEC 60320/C14, Output Rating: 50W, 12V@4.17A, Output Configuration: 1830 mm, 18/2 Cond, SPT-1, Female Barrel 5.5 * 2.5 * 11mm with internal Spring Clip and Locking Notch or Equal, Ferrite: None, GlobTek Black, GT Cord # C0336, Pin Out: Center Positive (+V), Blades/Input Cord: Not Applicable, Approvals: CB, CE, China RoHS, Class I, cUR, GOST-R, IP40, Korea (12V Only), PSE, RoHS 2, SIQ, Ukraine, VCCI, WEEE

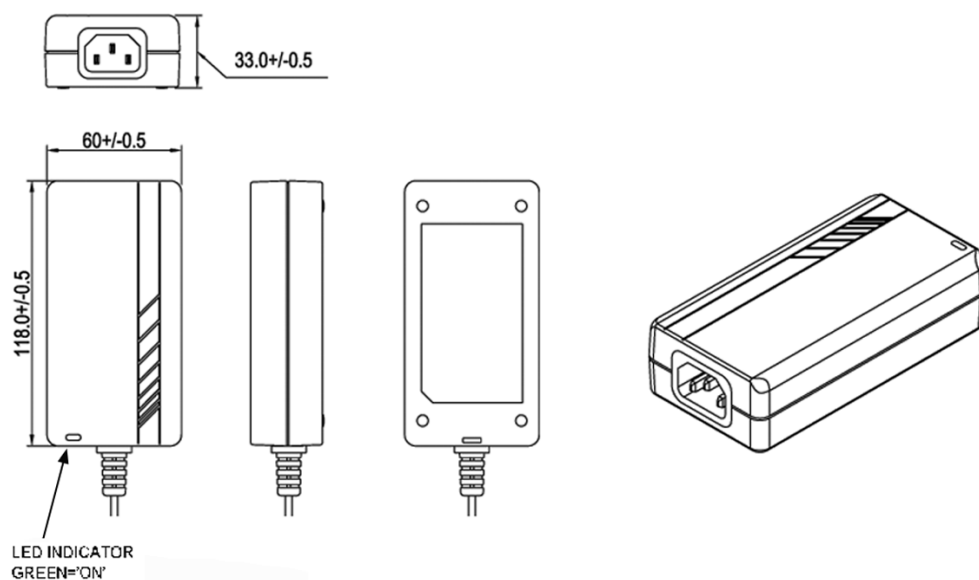
Model No. GTM21097-5012

Part No. TR9CE4000LCP-Y-MED(R)

Rev L

E) ENCLOSURE

1. Upper Housing: High impact plastic, 94V0 polycarbonate, non-vented
2. Lower Housing: High impact plastic, 94V0 polycarbonate, non-vented
3. Size: 118*60*33 ± 0.5 mm
4. Green LED to indicate Power On



GlobTek, Inc.
 www.globtek.com
 186 Veterans Drive,
 Northvale, NJ 07647
 Tel. (201) 784-1000
 Fax (201) 784-0111

Drawing Title: GTM21097-5012, Medical Power Supply, Efficiency Level: Meets/Exceeds for Medical, Case Color/Style: GlobTek Black, Desktop/External, Regulated Switchmode AC-DC, Input Rating: 100-240V~, 50-60 Hz, IEC 60320/C14 , Output Rating: 50W, 12V@4.17A, Output Configuration: 1830 mm, 18/2 Cond, SPT-1, Female Barrel 5.5 * 2.5 * 11mm with internal Spring Clip and Locking Notch or Equal, Ferrite: None, GlobTek Black, GT Cord # C0336, Pin Out: Center Positive (+V), Blades/Input Cord: Not Applicable, Approvals: CB, CE, China RoHS, Class I, cUR, GOST-R, IP40, Korea (12V Only), PSE, RoHS 2, SIQ, Ukraine, VCCI, WEEE

Model No. GTM21097-5012

Part No. TR9CE4000LCP-Y-MED(R)

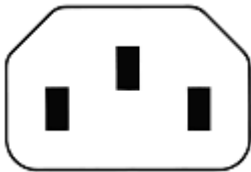
Rev L

INPUT CONFIGURATION

Blades/Cord Included: N/A: Not Applicable

Blades/Cord Installed: N/A: Not Applicable

IEC 60320/C14 AC Inlet Connector, Class I, Earth Ground



Mates with IEC 60320/C13 Plug

Standard Cordsets <http://en.globtek.com/standard-cordsets.php>

Below are standard cordsets which are "not included" (unless stated above); these can be purchased separately or packaged with the power supply. Contact your Sales Engineer if the style required is not shown below. Many more available in different lengths, colors or cable material.

GlobTek P/N	Length	Country	Description
1191063F0701(R) to IEC 320/C13	3 FT	North American Hospital	3 CONDUCTOR: SJT 18/3, 3 Ft., BLACK, UL/CSA, HOSPITAL NEMA 5-15P
1191068F0701(R) to IEC 320/C13	8 FT	North American Hospital	3 CONDUCTOR: SJT 18/3, 8 Ft., BLACK, UL/CSA, HOSPITAL NEMA 5-15P
3021453F701(R) 320/C13	3 FT	North American	3 CONDUCTOR: SVT 18/3, 3', BLACK, UL/CSA, NEMA 5-15P to IEC
3021106F701(R) 320/C13	6 FT	North American	3 CONDUCTOR: SPT-1 18/3, 6', BLACK, UL/CSA, NEMA 5-15P to IEC
3021457F701(R) 320/C13	7 FT	North American	3 CONDUCTOR: SVT 18/3, 7', BLACK, UL/CSA, NEMA 5-15P to IEC
3021876F7701(R) to IEC 320/C13	7 FT	North American	3 CONDUCTOR: SVT, Shielded, 18/3, 6' 7", BLACK, UL/CSA, NEMA 5-15P
23144272M5701-T(R)	2.5 M	European	3 CONDUCTOR H05VVF, 3x1.00, 2.5M, CEE 7/7 to IEC 320/C13
PZ0800100-2M5BK13-H(R)	2.5 M	UK / Ireland	3 CONDUCTOR: H05VVF, 3x1.0, 2.5M, BSI, BS1363 to IEC 320/C13
5502022M5701(R)	2.5 M	Australia	3 CONDUCTOR: GTSA 3x1.0, 2.5M, SAA, AS3112 to IEC 320/C13
3003068F2701(R)	2.5 M	Japan	3 CONDUCTOR: VCTF, 3x 2.0, 2.5M, PSE, JIS8303 to IEC 320/C13
23214272M5701(R)	2.5 M	Swiss	3 CONDUCTOR: H05VVF 3x1.0, 2.5M, SEV, SEV 1011 to IEC 320/C13
23024272M5701(R) 320/C13	2.5 M	Italy	3 CONDUCTOR: H05VVF 3x 1.00, 2.5M, IMQ, CEI 23-16/VII to IEC
G8014262M5701(R) 320/C13	2.5 M	Demark	3 CONDUCTOR: H05VVF 3x 1.00, 2.5M, D, AFSNIT 107-2-D1 to IEC
2084272M5701(R)	2.5 M	India/ Africa	3 CONDUCTOR: H05VVF 3x1.0, 2.5M, BS546 to IEC 320/C13
6023602M5701(R) 320/C13	2.5 M	China	3 CONDUCTOR: RVV, 3X1.0mm2, 2.5M, CCC, GB2099.1 (1996) to IEC
377C2472M5701(R)	2.5 M	Israel	3 CONDUCTOR: H05VVF 3x 1.00, 2.5M, ISRAEL SI-32 to IEC 320/C13
7055002M5701(R)	2.5 M	International	3 CONDUCTOR: H05VVF 3x 1.00, 2.5M, IEC320/C14 to IEC 320/C13

PROPRIETARY INFORMATION

PROPRIETARY OF GLOBTEK, INC. ANY REPRODUCTION, DISCLOSURE OR USE OF THIS DRAWING, IN WHOLE OR IN PART, IS HEREBY PROHIBITED EXCEPT AS SPECIFIED IN WRITING BY GLOBTEK, INC.

QA /07/18/2014 10:52:15 AM

GlobTek, Inc.
 www.globtek.com
 186 Veterans Drive,
 Northvale, NJ 07647
 Tel. (201) 784-1000
 Fax (201) 784-0111

Drawing Title: GTM21097-5012, Medical Power Supply, Efficiency Level: Meets/Exceeds for Medical, Case Color/Style: GlobTek Black, Desktop/External, Regulated Switchmode AC-DC, Input Rating: 100-240V~, 50-60 Hz, IEC 60320/C14 , Output Rating: 50W, 12V@4.17A, Output Configuration: 1830 mm, 18/2 Cond, SPT-1, Female Barrel 5.5 * 2.5 * 11mm with internal Spring Clip and Locking Notch or Equal, Ferrite: None, GlobTek Black, GT Cord # C0336, Pin Out: Center Positive (+V), Blades/Input Cord: Not Applicable, Approvals: CB, CE, China RoHS, Class I, cUR, GOST-R, IP40, Korea (12V Only), PSE, RoHS 2, SIQ, Ukraine, VCCI, WEEE

Model No. GTM21097-5012

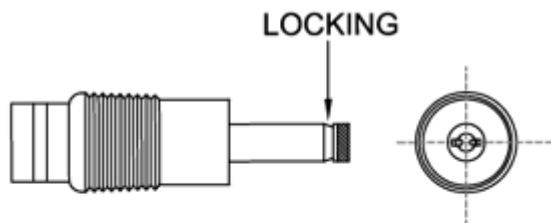
Part No. TR9CE4000LCP-Y-MED(R)

Rev L

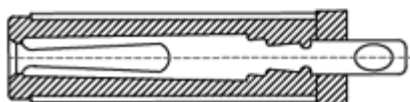
OUTPUT CORD AND CONNECTOR: LCL/C0336

ACTUAL CONNECTORS, OVERMOLDS, FERRITES MAY VARY SLIGHTLY FROM THE PICTURE BELOW

CABLE TYPE	SPT-1
CABLE LENGTH (mm)	1830
CABLE TOLERANCE (mm)	+150,-0
WIRE GAUGE (AWG)	18
CONDUCTORS	2
HANK DIMENSION (mm)	120 +15, -15
CABLE / CONNECTOR OVERMOLD COLOR	GlobTek Black
FERRITE TYPE / DIMENSION	None
FERRITE # OF TURNS	N/A
FERRITE DIMENSION FROM STRAIN RELIEF	N/A
FERRITE DIMENSION FROM PLUG	N/A
PLUG TYPE	Female Barrel 5.5 * 2.5 * 11mm with internal Spring Clip and Locking Notch or Equal
OVER MOLD ORIENTATION	Straight
CONNECTOR PIN OUT:	Center Positive (+V)
ADDITIONAL REQUIREMENTS	



Internal View of connector



ADDITIONAL OUTPUT PLUG OPTIONS ARE AVAILABLE AT <http://www.globtek.com/connectors.php>
 STANDARD PLUGS AND CONNECTORS CAN BE SEEN ONLINE AT <http://www.globtek.com/connectors.php>

GlobTek, Inc. www.globtek.com 186 Veterans Drive, Northvale, NJ 07647 Tel. (201) 784-1000 Fax (201) 784-0111	Drawing Title: GTM21097-5012, Medical Power Supply, Efficiency Level: Meets/Exceeds for Medical, Case Color/Style: GlobTek Black, Desktop/External, Regulated Switchmode AC-DC, Input Rating: 100-240V~, 50-60 Hz, IEC 60320/C14 , Output Rating: 50W, 12V@4.17A, Output Configuration: 1830 mm, 18/2 Cond, SPT-1, Female Barrel 5.5 * 2.5 * 11mm with internal Spring Clip and Locking Notch or Equal, Ferrite: None, GlobTek Black, GT Cord # C0336, Pin Out: Center Positive (+V), Blades/Input Cord: Not Applicable, Approvals: CB, CE, China RoHS, Class I, cUR, GOST-R, IP40, Korea (12V Only), PSE, RoHS 2, SIQ, Ukraine, VCCI, WEEE	
	Model No. GTM21097-5012	
	Part No. TR9CE4000LCP-Y-MED(R)	Rev L

LABEL:L-1186

LABEL P/N: Standard GT
 MATERIAL: Flat Thermal Transfer, Imprintable, Polyester Label and/or Pad Printed and/or Molded in the case
 BACKGROUND COLOR:Black
 TEXT COLOR: White or Silver
 LABEL WIDTH (mm): 44.5
 LABEL HEIGHT (mm): 79.5

Below is the minimum information which will appear on the label. NOTE: in the logo area additional/actual positioning of symbols and text is subjected to change as per agency updates/requirements or additional model approvals become available.
 Agency logos may be in Logo area on the label or molded into the case housing outside the label area.
 Information will be shown via Label and/or Pad Printed and/or Molded in the case



A=Medical Power Supply
 B=P/N: (料号) TR9CE4000LCP-Y-MED(R)
 C=Model : (型号) GTM21097-5012
 D=Input : (输入) 100-240V~, 50-60 Hz, 1.6A Max
 E=Output : (输出) 12 V --- 4.17 A

AGENCY ONLINE DOCUMENTS <http://www.globtek.info/certs/GTM21097/>
 IPXY rating is based on 3rd party testing and customers should check suitability and test system level IPXY rating before ordering.

Logo Approvals

Logo	Description
	60601-1 3rd Operating Instructions
No Logo Applicable	CB report IEC 60601-1: 2005 + CORR. 1 (2006) + CORR. 2 (2007) and or EN 60601-1:2006 3rd Edition including 2MOOP requirements
	CE Mark: tested to comply with EN61000-3-2, EN61000-3-3 and EN50082-1, including EN61000-4-2, EN61000-4-3, EN61000-4-4, EN61000-4-5, EN61000-4-6, EN61000-4-8, EN61000-4-11, EN61000-1-2-2001 EMI: Complies with EN55011 CLASS B and FCC Part 15 B

GlobTek, Inc.
 www.globtek.com
 186 Veterans Drive,
 Northvale, NJ 07647
 Tel. (201) 784-1000
 Fax (201) 784-0111

Drawing Title: GTM21097-5012, Medical Power Supply, Efficiency Level: Meets/Exceeds for Medical, Case Color/Style: GlobTek Black, Desktop/External, Regulated Switchmode AC-DC, Input Rating: 100-240V~, 50-60 Hz, IEC 60320/C14, Output Rating: 50W, 12V@4.17A, Output Configuration: 1830 mm, 18/2 Cond, SPT-1, Female Barrel 5.5 * 2.5 * 11mm with internal Spring Clip and Locking Notch or Equal, Ferrite: None, GlobTek Black, GT Cord # C0336, Pin Out: Center Positive (+V), Blades/Input Cord: Not Applicable, Approvals: CB, CE, China RoHS, Class I, cUR, GOST-R, IP40, Korea (12V Only), PSE, RoHS 2, SIQ, Ukraine, VCCI, WEEE

Model No. GTM21097-5012

Part No. TR9CE4000LCP-Y-MED(R)

Rev L



CHINA SJ/T 11363-2006, China RoHS Chart: <http://en.globtek.com/globtek-rohs.php>



Class I Earth Ground



UR 60601-1, 3rd Edition, CAN/CSA-C22.2 No. 601.1-1



GOST-R mark for Russia(Document: http://www.globtek.com/html/iso_certificates/GT_GOST-R.pdf)



Indoor Use Only - Mark is on the label or Molded in the case

IP40

Ingress Protection: IP40 to IEC60529:2001 Protection against granular foreign bodies



Korea KET KC Mark GTM21097-5012 HU10040-7022B (12V Only)



JAPAN PSE CQC Globtek Inc TO J60950 AND J55022

RoHS 2

RoHS 2: Complies with EU 2011/65/EU and CHINA SJ/T 11363-2006
<http://www.ce-mark.com/Rohs%20final.pdf>



Serial Number Information



SIQ Mark License EN60601-1, 3rd edition



Ukraine UKRSeprO (Document: www.globtek.com/html/iso_certificates/GT_Ukraine.pdf)



Japan: Voluntary Control Council for Interference (VCCI)



WEEE: Complies with EU 2012/19/EU (http://ec.europa.eu/environment/waste/weee/index_en.htm)
 Mark is on the label or Molded in the case



Center Positive (+V)

GlobTek, Inc.
www.globtek.com
186 Veterans Drive,
Northvale, NJ 07647
Tel. (201) 784-1000
Fax (201) 784-0111

Drawing Title: GTM21097-5012, Medical Power Supply, Efficiency Level: Meets/Exceeds for Medical, Case Color/Style: GlobTek Black, Desktop/External, Regulated Switchmode AC-DC, Input Rating: 100-240V~, 50-60 Hz, IEC 60320/C14 , Output Rating: 50W, 12V@4.17A, Output Configuration: 1830 mm, 18/2 Cond, SPT-1, Female Barrel 5.5 * 2.5 * 11mm with internal Spring Clip and Locking Notch or Equal, Ferrite: None, GlobTek Black, GT Cord # C0336, Pin Out: Center Positive (+V), Blades/Input Cord: Not Applicable, Approvals: CB, CE, China RoHS, Class I, cUR, GOST-R, IP40, Korea (12V Only), PSE, RoHS 2, SIQ, Ukraine, VCCI, WEEE

Model No. GTM21097-5012

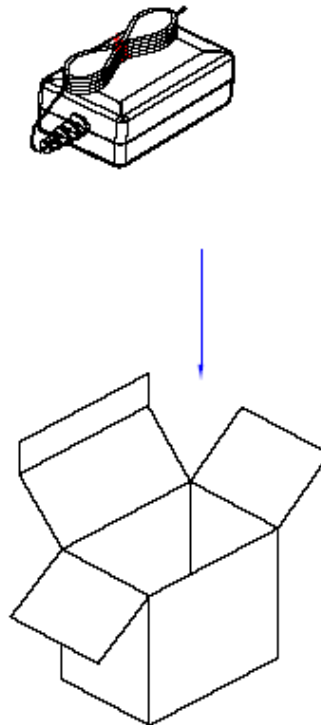
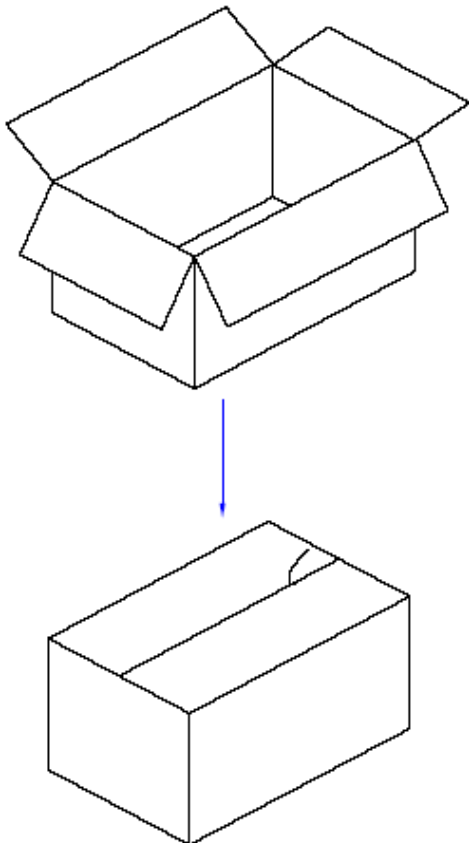
Part No. TR9CE4000LCP-Y-MED(R)

Rev L

PACKAGING

Packing Spec P/N: Standard DT, Individually Box
Box Qty: 60.0
Gift Box Size (mm): 147*100*33
Gift Box Color: White
Master Carton Size (mm): 455*405*220
Master GW (Kg): 19.6 kg
BLADES INCLUDED: N/A: Not Applicable
BLADE/CORD INSTALLED: N/A: Not Applicable

If specific packaging is required, this section must specify all requirements and note "no exceptions". If this section does not specify packaging, it is subject to change without notice at GlobTek's discretion



GlobTek, Inc.
www.globtek.com
186 Veterans Drive,
Northvale, NJ 07647
Tel. (201) 784-1000
Fax (201) 784-0111

Drawing Title: GTM21097-5012, Medical Power Supply, Efficiency Level: Meets/Exceeds for Medical, Case Color/Style: GlobTek Black, Desktop/External, Regulated Switchmode AC-DC, Input Rating: 100-240V~, 50-60 Hz, IEC 60320/C14 , Output Rating: 50W, 12V@4.17A, Output Configuration: 1830 mm, 18/2 Cond, SPT-1, Female Barrel 5.5 * 2.5 * 11mm with internal Spring Clip and Locking Notch or Equal, Ferrite: None, GlobTek Black, GT Cord # C0336, Pin Out: Center Positive (+V), Blades/Input Cord: Not Applicable, Approvals: CB, CE, China RoHS, Class I, cUR, GOST-R, IP40, Korea (12V Only), PSE, RoHS 2, SIQ, Ukraine, VCCI, WEEE

Model No. GTM21097-5012

Part No. TR9CE4000LCP-Y-MED(R)

Rev L

INSTRUCTION SHEET

N/A