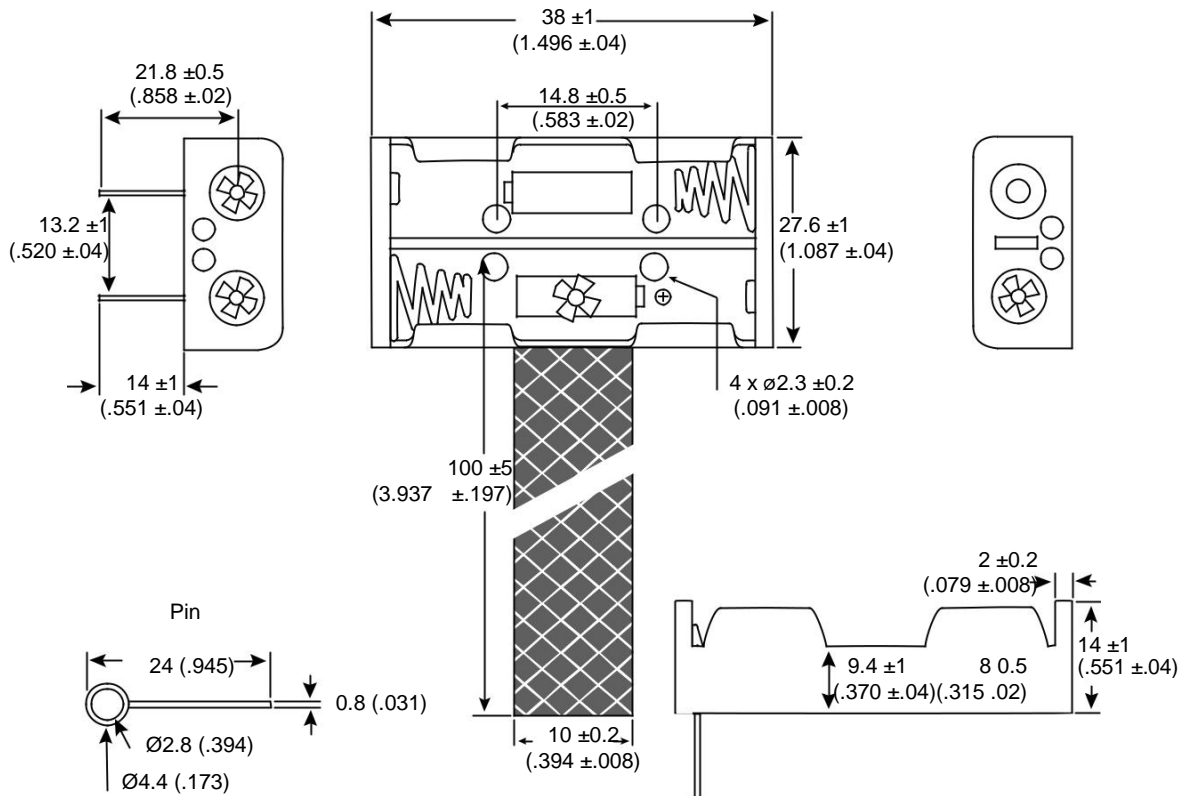


Date Last Revised: 10/24/05



Dimensions: mm (In.)

SPECIFICATIONS	
Material:	P.P. Resin, Black Color
w/ Pin:	$\phi 0.8 \times 24$
Spring:	0.5mm 65C Spring Wire