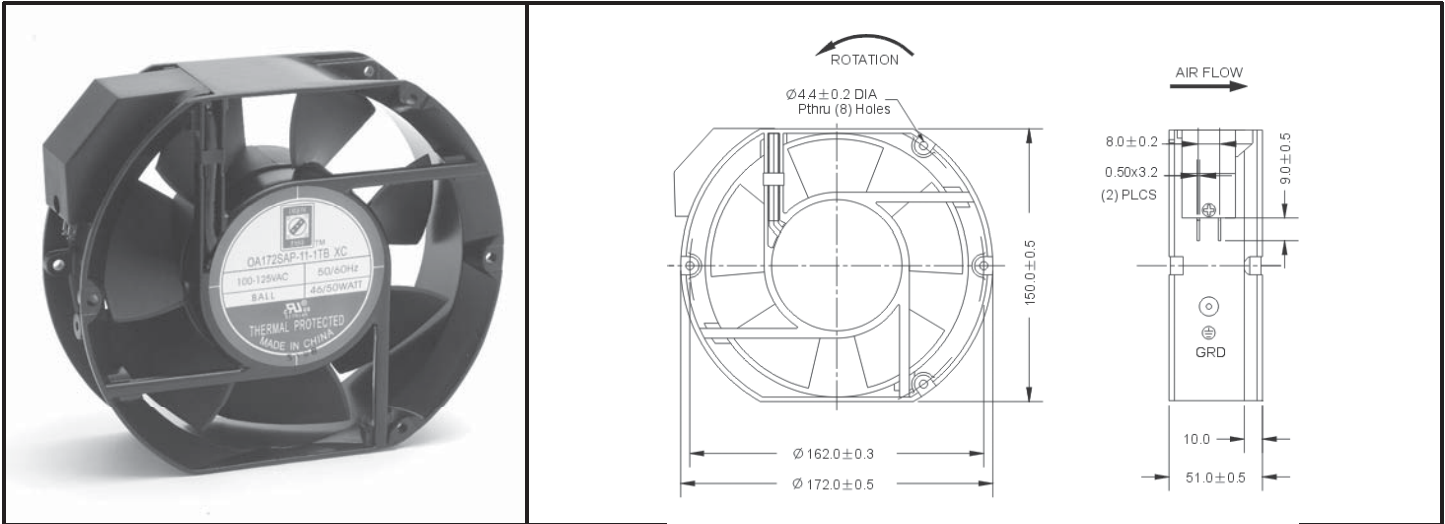


OA172 'XC Series'



172 x 150 x 51mm
(6.7" x 5.9" x 2.0")



Frame	Diecast Aluminum	Operating Temperature Ball Bearing -40C ~ +70C Life Expectancy Ball Bearing 60,000 hours (L10 at 40C) m4	
Impeller	PBT, UL94V-O plastic		
Connection	2x Lead Wires or Terminals		
Motor	Capacitor drive, thermally protected		
Bearing System	Dual ball (Sleeve available)		
Insulation Resistance	>100M ohm between lead-wire and frame (500VDC)		
Dielectric Strength	1 min at 1500 VAC, 50/60Hz		

Part Number	OA172SAP-11-1 () B XC	OA172SAP-22-1 () B XC
Nominal Voltage	120 VAC	230 VAC
Voltage Range	100 ~ 125 VAC	200 ~ 240 VAC
Rated Power	50 W (60Hz)	50 W (60Hz)
Rated Speed (RPM)	3300	3300
Airflow (CFM)	300	300
Noise Level (dB)	61	61
Max. Static Pressure	0.78" H ₂ O	0.78" H ₂ O

() Indicate "T" for Terminal or "W" for Wire Leads