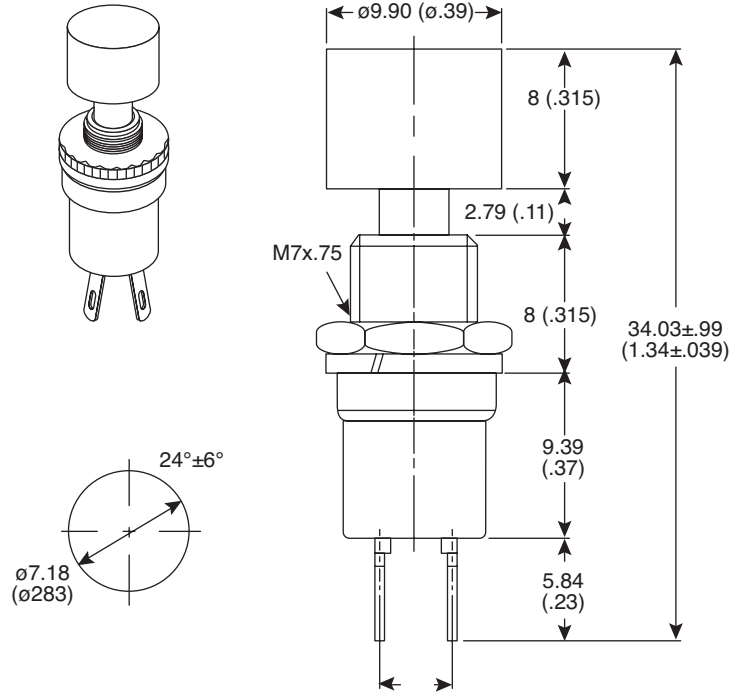


Dimensions: mm (In.)



**Mechanical Specifications:**

- Circuit: 2P SPST On-(Off)

**Electrical Specifications:**

- Rating: 3A/125VAC
- Contact resistance: 50m $\Omega$  max.
- Insulation resistance: 100M $\Omega$  min. @ 500VDC
- Dielectric strength: 1000VAC for 1 minute

**Note:**

- RoHS Compliant by Exemption

Stock No.	Button Color
103-1024-EVX	Red
103-1025-EVX	Black

**Pushbutton Switches**  
103-1024-EVX, 103-1025-EVX

