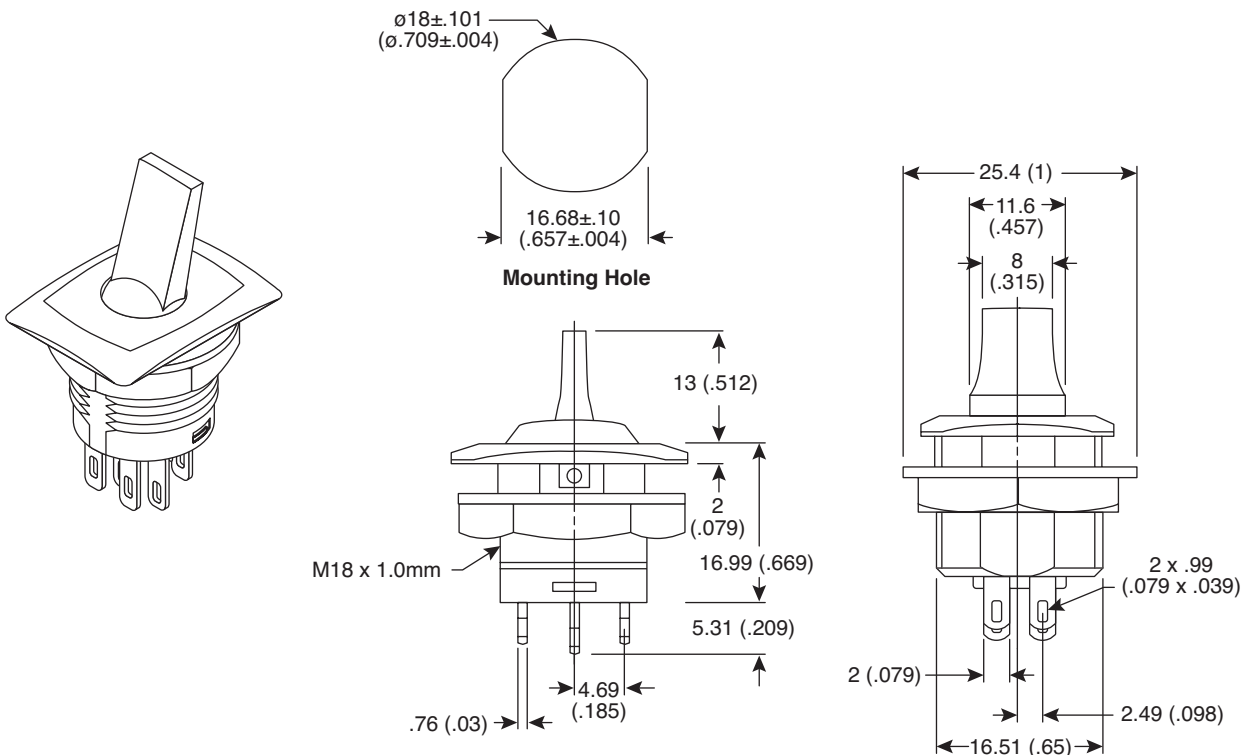


Dimensions: mm (In.)



Electrical Specifications:

- Rating: 6A/250VAC
- Contact resistance: 50mΩ max.
- Insulation resistance: 500VDC 100MΩ min.
- Dielectric strength: 1500VAC for 1 minute

Mechanical Specifications:

- Type: 6P, DPDT
- Circuit: On-On (103-4024), On-(On) (103-4025)
- Operational life cycles: 100,000

Note:

- RoHS Compliant

Toggle Switches
103-4024-EV, 103-4025-EV

