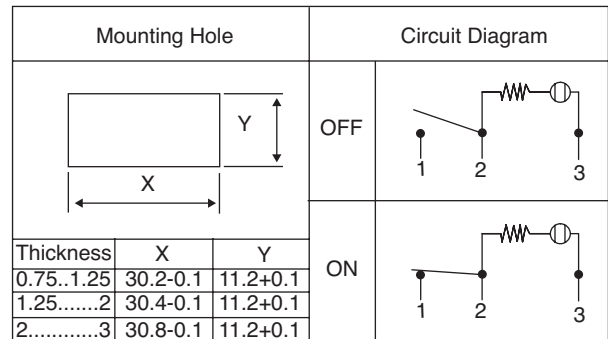
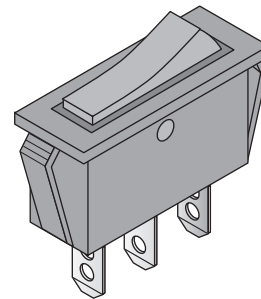
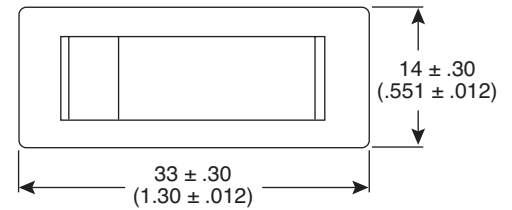
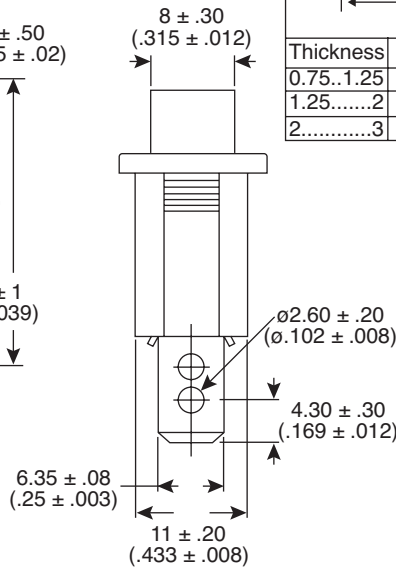
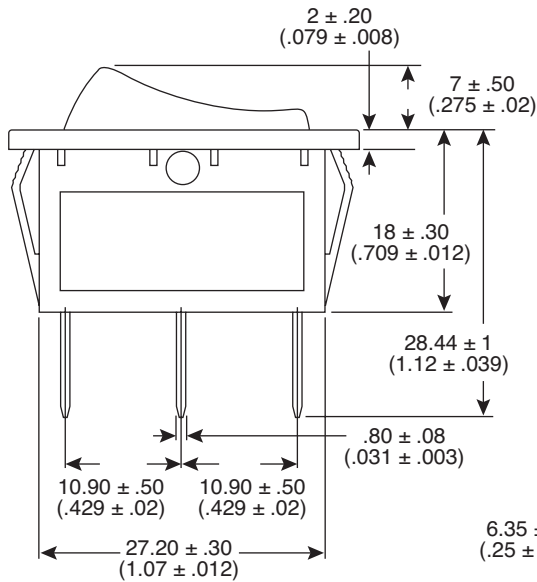


Dimensions: mm (in.)



Stock No.	Button Color
103-7049-EV	Orange
103-7050-EV	Red

Electrical Specifications:

- Rating: 16A / 125VAC 1 / 8HP
10A / 250VAC 1 / 3HP
- Contact Resistance: 50m Ω max.
- Insulation Resistance: 500 VDC 100M Ω min.
- Dielectric Strength: 1500 VAC 1 minute

Mechanical Specifications:

- Operating temperature: -25° ~ 85°
- Circuit: 3P SPST On-Off
- Neon Lamps: 110VAC

Materials:

- Frame: Nylon #66, Black
- Neon: ø4, NE-2C
- Resistor: 1/8W, 33kΩ

Note:

- RoHS Compliant

Illuminated Rocker Switches

103-7049-EV, 103-7050-EV

