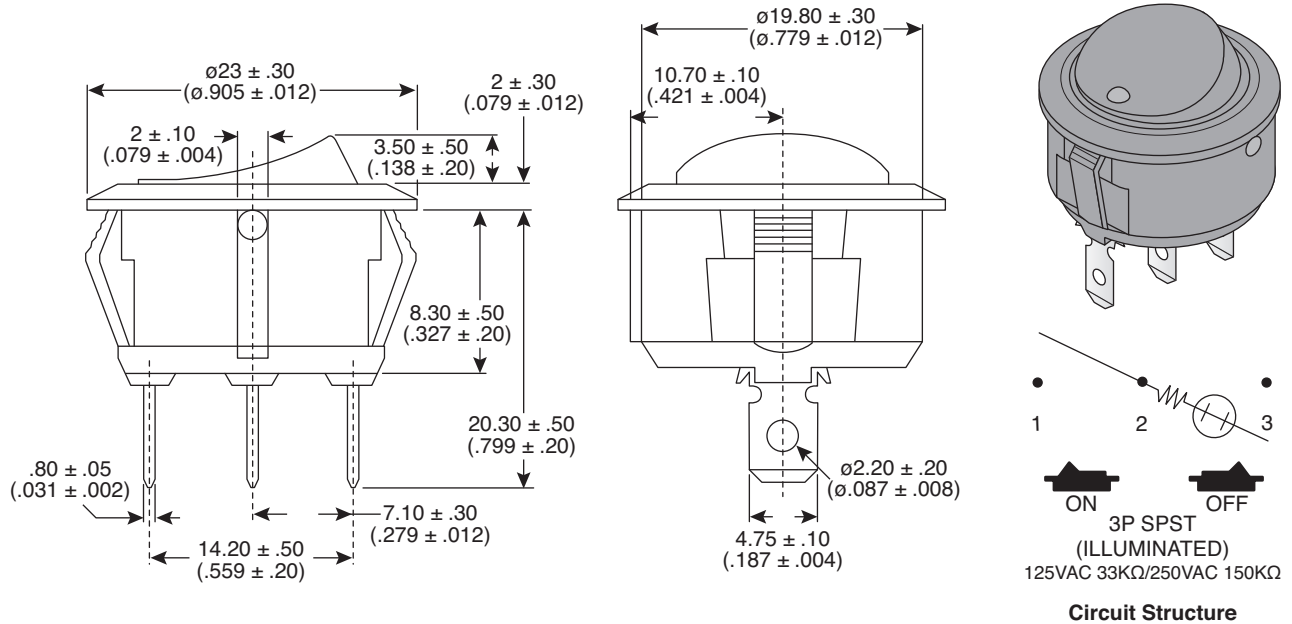


Dimensions: mm (in.)



Mechanical Specifications:

- Operating temperature: -20° ~ 85°
- Circuit: 3P SPST On-Off
- Neon Lamps: 110VAC

Note:

- RoHS Compliant

Electrical Specifications:

- Rating: 16A / 125VAC, 10A / 250 VAC
- Contact Resistance: 50m Ω max.
- Insulation Resistance: 500 VDC 100M Ω min.
- Dielectric Strength: 1500 VAC 1 minute

Stock No.	Button Color
103-7055-EV	Green Dot
103-7056-EV	Red Dot

Illuminated Rocker Switches

103-7055-EV, 103-7056-EV

