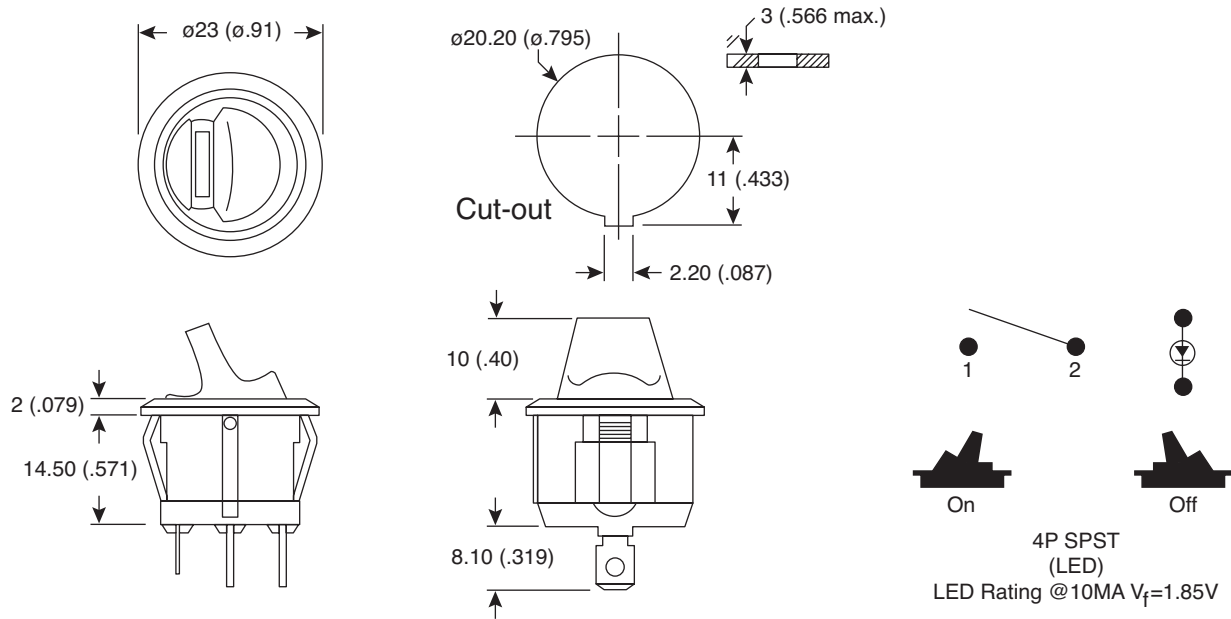


Dimensions: mm (In.)



Electrical Specifications:

- Rating: 16A/125VAC, 10A/250VAC
- Contact resistance: 50mΩ max.
- Insulation resistance: 500VDC 100MΩ min.
- Dielectric strength: 1500VAC 1 minute

Note:

- RoHS Compliant

Stock No. 103-	Color
R13-112LP -02R-EV	Red
103-R13-112LP-02Y-EV	Yellow
103-R13-112LP-02G-EV	Green

Rocker Switches

103-R13-112LP-02R-EV, **103-R13-112LP-02Y-EV**,
103-R13-112LP-02G-EV

