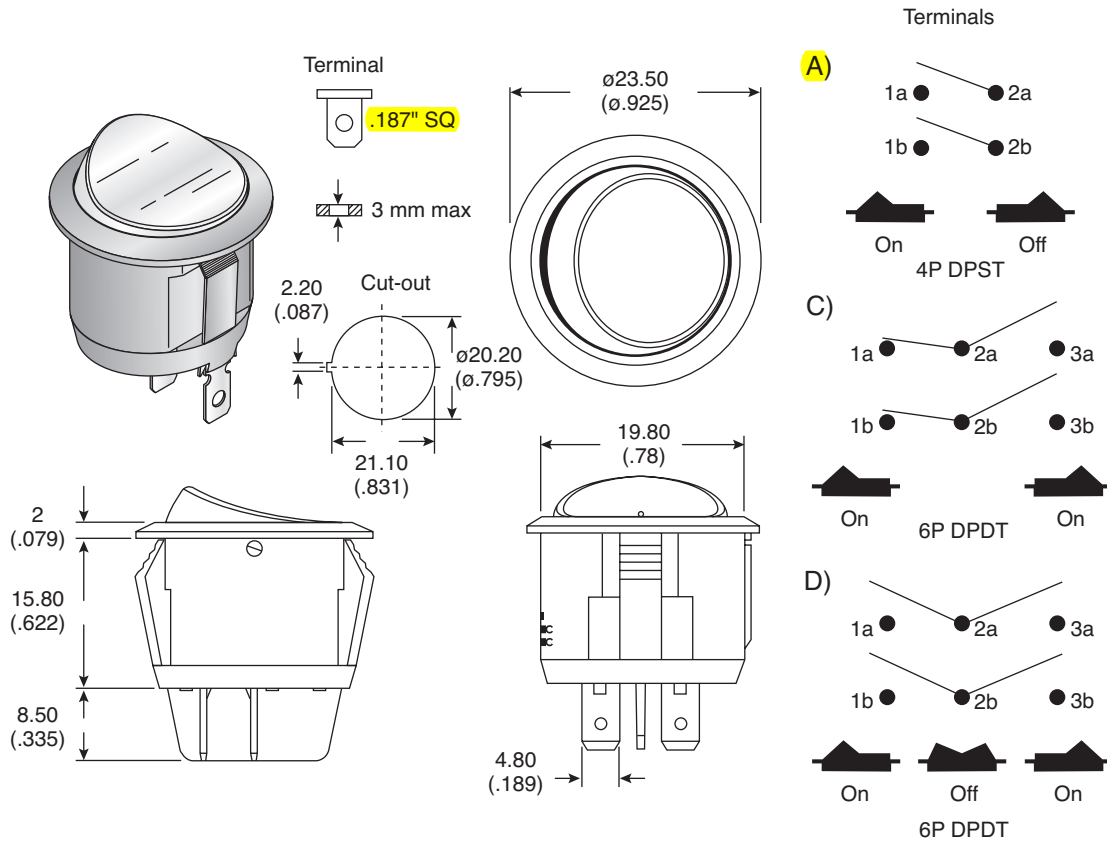


Dimensions: mm (In.)



| Stock No. | Button | Function |
|---------------------|--------|----------|
| 103-R13-244A-02-EV | Black | A |
| 103-R13-244C-02-EV | Black | C |
| 103-R13-244D-02-EVX | Black | D |

Electrical Specifications:

- Rating: 16A/125V AC, 10A/250V AC
- Contact resistance: 50mΩ max.
- Insulation resistance: 500VDC 100MΩ min.
- Dielectric strength: 1500VAC for 1 min.

Note:

- RoHS Compliant = EV
- RoHS Compliant by Exemption = EVX

Rocker Switches

103-R13-244A-02-EV, 103-R13-244C-02-EV,
103-R13-244D-02-EVX

