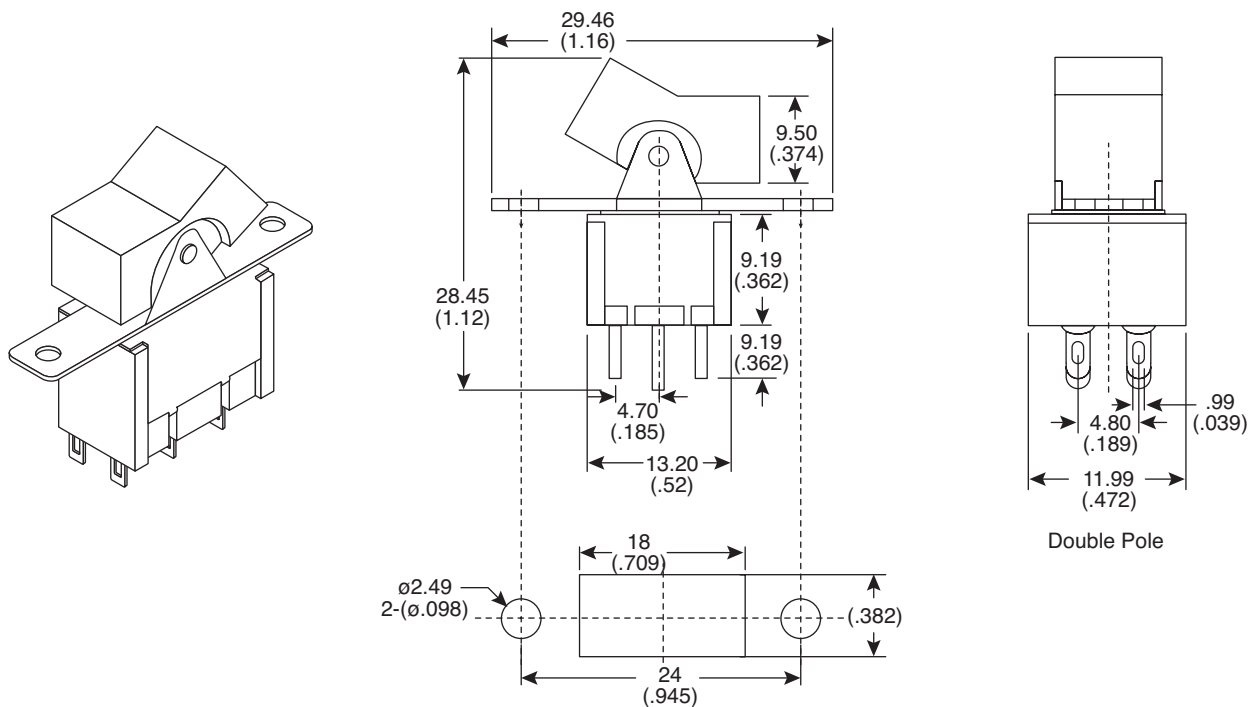


Dimensions: mm (In.)

**Electrical Specifications:**

- Rating: 6A/125 VAC; 3A/250 VAC
- Contact resistance: 20mΩ (max)
- Insulation resistance: 500VDC @ 100MΩ (min)
- Dielectric strength: 1000VAC for 1 minute
- Electrical life: 10,000 cycles

Mechanical Specifications:

- Mechanical life: 100,000 cycles
- Operating temperature: -20°C~65°C
- Circuit: DPDT On-Off-On

Materials:

- Case: alkyd, anti-flame & high insulation
- Contacts: copper alloy with silver inlay or silver plated
- Terminals: silver plated copper alloy
- Epoxy sealed: anti-dust, anti-moisture
- Cover: stainless steel

Miniature Rocker Switch
1055-RA1165

Mountain
Switch