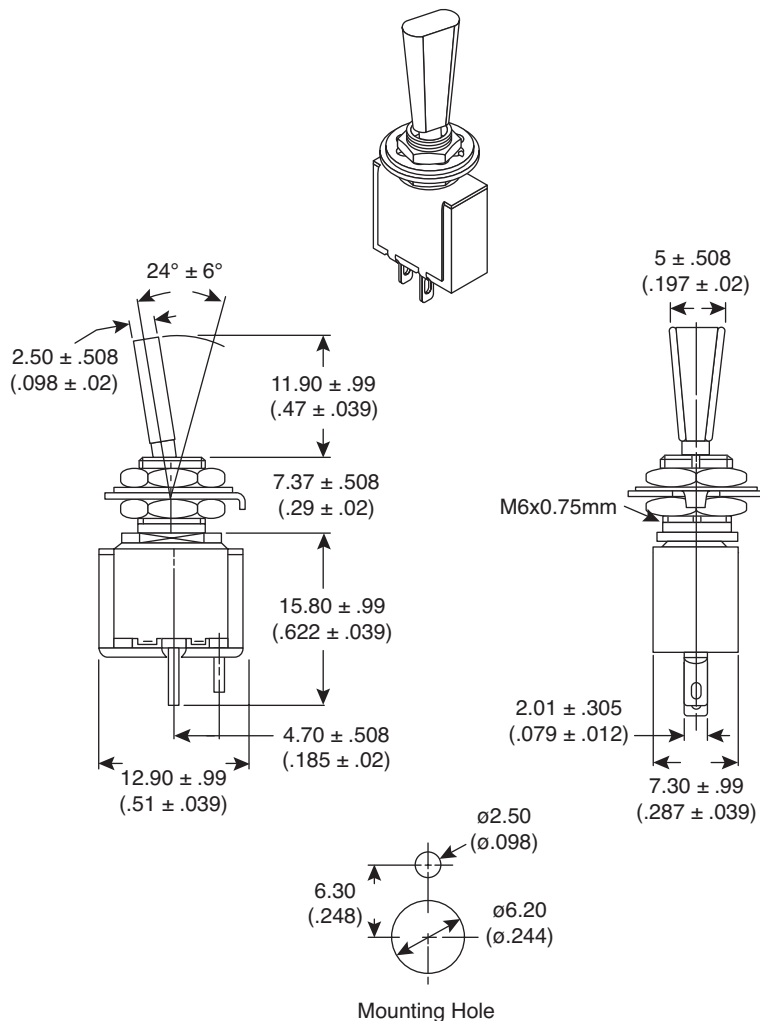


Dimensions: mm (in.)



**Electrical Specifications:**

- Rating: 6A/125VAC, 3A/250VAC
- Contact resistance: 50mΩ max
- Insulation resistance: 500VDC 100MΩ min
- Dielectric strength: 1000VAC for 1 minute
- Electrical life: 10,000 cycles

**Mechanical Specifications:**

- Mechanical life: 100,000 cycles
- Operating temperature: -20°C ~ +65°C
- Circuit: 2P SPST on-off

**Note:**

- RoHS Compliant by Exemption

**Miniature Toggle Switch**  
1055-TA2120-EVX

