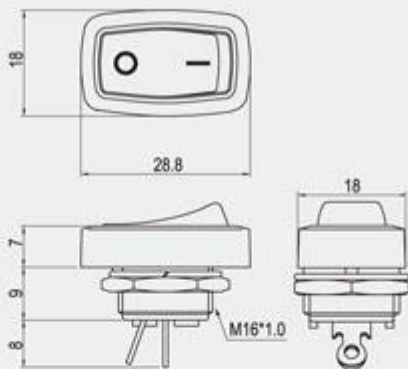


R13-228

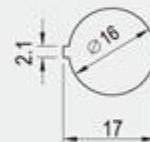
Screw Type



Rating
10A 125V AC 6A 250V AC
Contact resistance
50mΩ Max
Insulation resistance
DC 500V 100MΩ Min
Dielectric strength
AC 1500V 1 minute
Cut-out

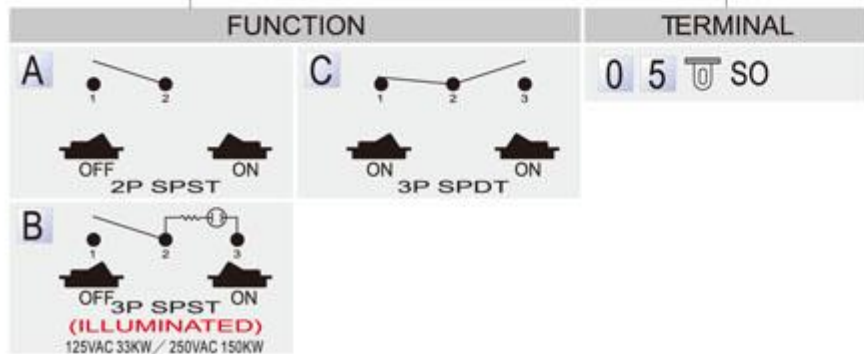
FEATURES

- * MATERIAL: Frame is nylon with glass fiber(UL flame: 94HB). Terminals are silver plated brass.
- * Illuminated actuators are molded in PC, available with red, amber, green, blue and white colors.
- * Mounted by nut thread in.



0.5~4.5 mm max

R13-228 -



* The specification subject to change without notice. The drawing is for reference only.