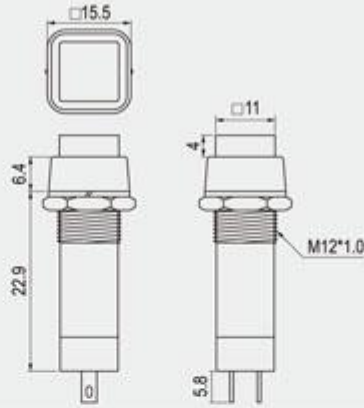


R13-23

Screw Type



Rating	3A 125V AC 1.5A 250V AC
Contact resistance	50mΩ Max
Insulation resistance	DC 500V 100MΩ Min
Dielectric strength	AC 1000V 1 minute
Cut-out	

FEATURES

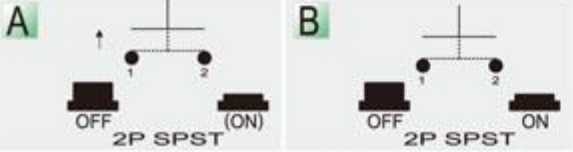
- * MATERIAL: Actuator and Frame are ABS (UL flame: 94HB). Base is phenolic.
- * Mounted by nut.



4 mm max

R13-23 -

FUNCTION



TERMINAL

0 5 U SO

* () =momentary

* The specification subject to change without notice. The drawing is for reference only.