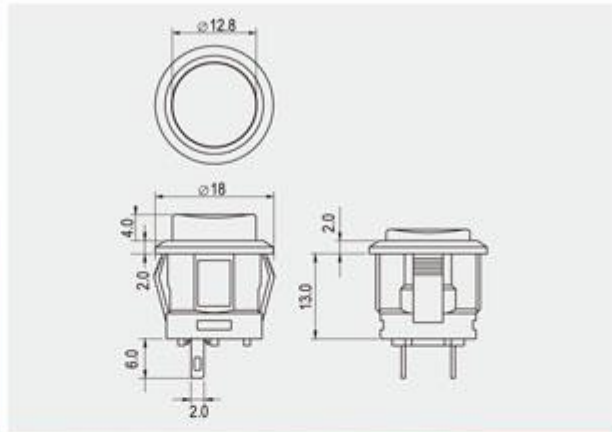
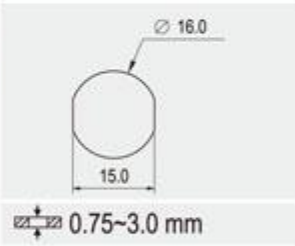


R13-523



Rating	3A 125V AC 1.5A 250V AC
Contact resistance	50mΩ Max
Insulation resistance	DC 500V 100MΩ Min
Dielectric strength	AC 1500V 1 minute
Cut-out	



FEATURES

- * MATERIAL: Frame is nylon (UL flame: 94V-2). Terminals are silver plated brass. Base is PBT.
- * Illuminated actuators are molded in PC, available with red, amber, green, blue and white colors.
- * Snap-in mounting, easy to install switch into panel.
- * Same mounting hole as R13-555, but in different shape of bezel and button.

R13-523 ■ ■ - ■ ■

FUNCTION		BUTTON	TERMINAL
A		■ W/O LED	0 5 SO
B		■ With LED	
* () =momentary		(LED Independent)	

* The specification subject to change without notice. The drawing is for reference only.