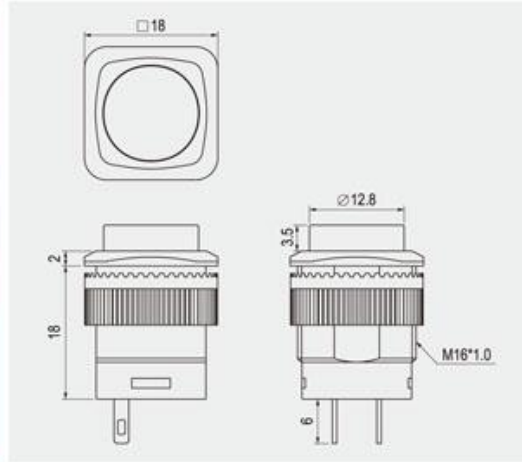
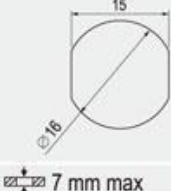


# R13-508

## Screw Type



<b>Rating</b>	3A 125V AC 1.5A 250V AC
<b>Contact resistance</b>	50mΩ Max
<b>Insulation resistance</b>	DC 500V 100MΩ Min
<b>Dielectric strength</b>	AC 1500V 1 minute
<b>Cut-out</b>	

### FEATURES

- \* MATERIAL: Frame is nylon with glass fiber (UL flame: 94V-2). Terminals are silver plated brass. Base is PBT.
- \* Illuminated actuator are molded in PC, available with red, amber, green, blue and white colors.
- \* Mounted by nut.

## R13-508

FUNCTION		BUTTON	TERMINAL
<b>A</b>			0 5 SO
<b>AL</b>			
<b>CL</b>			
<b>DL</b>			

<b>B</b>	
<b>BL</b>	

\* ( ) =momentary

