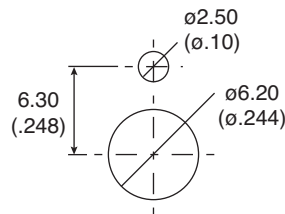
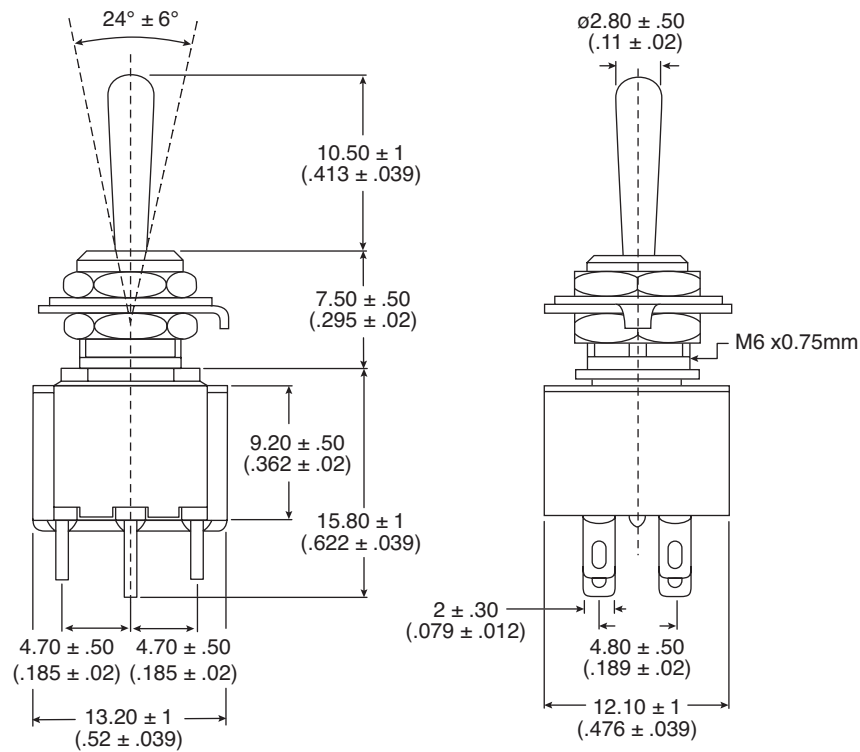
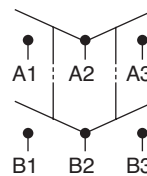


Dimensions: mm (in.)



Mounting Hole



Circuit Diagram

Electrical Specifications:

- Rating: **6A/125VAC, 3A/250VAC**
- Contact Resistance: 50mΩ max.
- Insulation Resistance: 100MΩ min. 500VDC
- Dielectric Strength: 1000VAC 1min.
- Electrical Life: 10,000 cycles

Mechanical Specifications:

- Mechanical Life: 100,000 cycles
- Operating Temperature: -20°C to +65°C
- Circuit: **6P DPDT On-Off-On**

Note:

- **RoHS** Compliant by Exemption

Miniature Toggle Switch
1055-TA1165-EVX

