

插入型絕緣/金屬軸式編碼規則

**RV 09 A X F - 40 E1 - 20 F X - B 5K - X X XXX**  
**1 2 3 4 5 6 7 8 9 10 11 12 13 14 15**

**1. Product Line**  
RV Rotary Potentiometer

**2. Model**

**3. Structure Difference**

**4. Derivatives**

**5. RoHS Version**  
F indicates RoHS Compliance

**6. Type of Terminal**

Code	Type of Terminal
10	Solder lug
20	PC board (horizontal)
30	PC board (vertical);front
40	PC board (vertical);back

**7. Type of Bushing**

**8. Shaft Length**

**9. Type of Shaft**

**10. Axis Angle of F-type Shaft**

**11. Pattern of Resistance Curve**

**12. Resistance Value**

**13. Materials & Methods for Manufacturing Shaft & Bushing**

**14. Number of Click**

Code	Specification
0	None
C	Center Click
D	11 Positions click
E	21 Positions click
F	41 Positions click

**15. Serial No.**

**訂單指定事項：**

開立訂單時，用途請依下表記載予以指定製品之規格詳細記載並確認之。

**項目：**


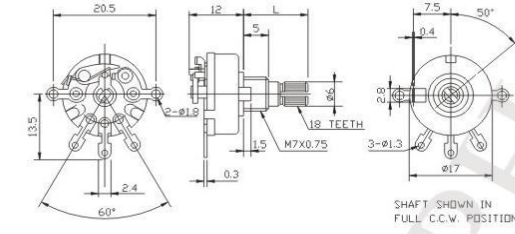

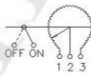

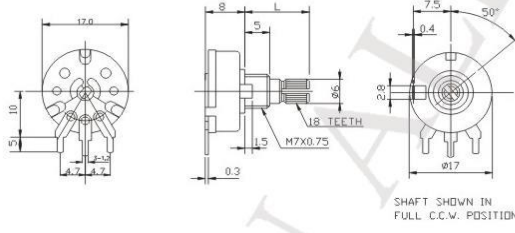



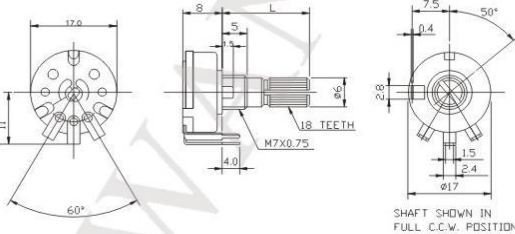



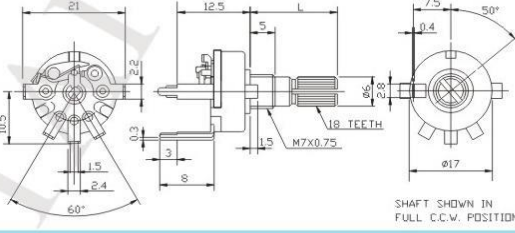

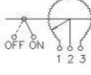
1. 型號。
2. 公稱阻值及線性要求。
3. 軸型及長度。
4. 端子型式。
5. 段點的有無。
6. 中間抽頭的有無。
7. 音量用或其他。
8. 手焊錫或錫爐焊錫。

**ORDERING INSTRUCTIONS**

WHEN PLACING YOUR ORDER, PLEASE SPECIFY THE FOLLOWING ITEMS ACCORDING TO YOUR APPLICATION NEEDS. FOR MORE INFORMATION ABOUT OUR PRODUCTS, PLEASE REFER TO THE SPECIFICATION GIVEN ON THE FOLLOWING PAGES.

**ITEMS：**

1. MODEL.
2. NORMAL RESISTANCE VALUE AND TAPER.
3. SHAFT STYLE AND LENGTH.
4. TERMINAL STYLE.
5. WITH CLICK OR WITHOUT CLICK, CLICK POSITION
6. WITH TAP OR WITHOUT TAP, TAP POSITION.
7. FOR VOLUME CONTROL OR OTHER USE.
8. MANUAL SOLDERING OR DIP SOLDERING.

Model	Outline Drawing	Features / Individual Specification																																
<b>RV170SF-10</b> 		 260° rotation, mono unit with Rotary SW S.P.S.T. 12VDC 1A 																																
<b>RV170F-24</b> 		 260° rotation, mono unit 																																
<b>RV170F-30</b> 		 260° rotation, mono unit 																																
<b>RV170SF-43</b> 		 260° rotation, mono unit with Rotary SW S.P.S.T. 12VDC 1A 																																
<p><b>SPECIFICATION</b></p> <table border="0"> <tr> <td>Mechanical</td> <td></td> <td>Electrical</td> <td></td> </tr> <tr> <td>Total Rotation Angle</td> <td>260° ±5°</td> <td>Rated Wattage</td> <td>linear taperB    other tapers</td> </tr> <tr> <td>Rotation Torque</td> <td>20-200 gf.cm</td> <td></td> <td>0.1W            0.05W</td> </tr> <tr> <td>Shaft Stop Strength</td> <td>3kgf.cm/Min.</td> <td>Rated Voltage</td> <td>200V DC        150V DC</td> </tr> <tr> <td>Switch Working angle</td> <td>30° ±10°</td> <td>Insulation Resistance</td> <td>more than 50MΩ at 500V DC</td> </tr> <tr> <td>Switch Working Torque</td> <td>70-400gf.cm</td> <td>Dielectric Strength</td> <td>500V AC, 1 minute</td> </tr> <tr> <td>Switch Circuit</td> <td>S.P.S.T.</td> <td>Switch Contact Resistance</td> <td>Less than 20mΩ</td> </tr> <tr> <td></td> <td></td> <td>Switch Rating</td> <td>12V DC, 1A</td> </tr> </table> <p>P.S.Potentiometer with Switch(RV170SF) and without Switch(RV170F) are available</p>			Mechanical		Electrical		Total Rotation Angle	260° ±5°	Rated Wattage	linear taperB    other tapers	Rotation Torque	20-200 gf.cm		0.1W            0.05W	Shaft Stop Strength	3kgf.cm/Min.	Rated Voltage	200V DC        150V DC	Switch Working angle	30° ±10°	Insulation Resistance	more than 50MΩ at 500V DC	Switch Working Torque	70-400gf.cm	Dielectric Strength	500V AC, 1 minute	Switch Circuit	S.P.S.T.	Switch Contact Resistance	Less than 20mΩ			Switch Rating	12V DC, 1A
Mechanical		Electrical																																
Total Rotation Angle	260° ±5°	Rated Wattage	linear taperB    other tapers																															
Rotation Torque	20-200 gf.cm		0.1W            0.05W																															
Shaft Stop Strength	3kgf.cm/Min.	Rated Voltage	200V DC        150V DC																															
Switch Working angle	30° ±10°	Insulation Resistance	more than 50MΩ at 500V DC																															
Switch Working Torque	70-400gf.cm	Dielectric Strength	500V AC, 1 minute																															
Switch Circuit	S.P.S.T.	Switch Contact Resistance	Less than 20mΩ																															
		Switch Rating	12V DC, 1A																															