

插入型絕緣/金屬軸式編碼規則

RV 09 A X F - 40 E1 - 20 F X - B 5K - X X XXX
1 2 3 4 5 6 7 8 9 10 11 12 13 14 15

1. Product Line
RV Rotary Potentiometer

2. Model

3. Structure Difference

4. Derivatives

5. RoHS Version
F indicates RoHS Compliance

6. Type of Terminal

Code	Type of Terminal
10	Solder lug
20	PC board (horizontal)
30	PC board (vertical);front
40	PC board (vertical);back

7. Type of Bushing

8. Shaft Length

9. Type of Shaft

10. Axis Angle of F-type Shaft

11. Pattern of Resistance Curve

12. Resistance Value

13. Materials & Methods for Manufacturing Shaft & Bushing

14. Number of Click

Code	Specification
0	None
C	Center Click
D	11 Positions click
E	21 Positions click
F	41 Positions click

15. Serial No.

訂單指定事項：

開立訂單時，用途請依下表記載予以指定製品之規格詳細記載並確認之。

項目：

1. 型號。
2. 公稱阻值及線性要求。
3. 軸型及長度。
4. 端子型式。
5. 段點的有無。
6. 中間抽頭的有無。
7. 音量用或其他。
8. 手焊錫或錫爐焊錫。

ORDERING INSTRUCTIONS


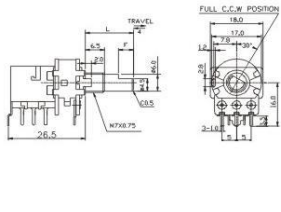
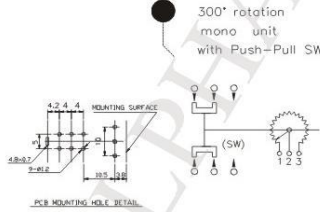

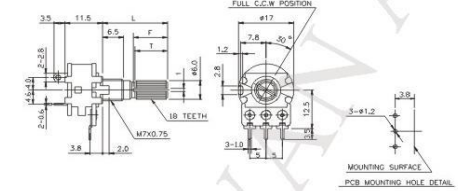
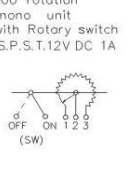

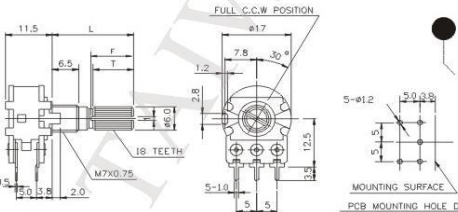
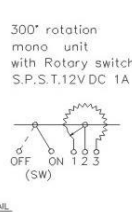
WHEN PLACING YOUR ORDER, PLEASE SPECIFY THE FOLLOWING ITEMS ACCORDING TO YOUR APPLICATION NEEDS. FOR MORE INFORMATION ABOUT OUR PRODUCTS, PLEASE REFER TO THE SPECIFICATION GIVEN ON THE FOLLOWING PAGES.

ITEMS :

1. MODEL.
2. NORMAL RESISTANCE VALUE AND TAPER.
3. SHAFT STYLE AND LENGTH.
4. TERMINAL STYLE.
5. WITH CLICK OR WITHOUT CLICK, CLICK POSITION
6. WITH TAP OR WITHOUT TAP, TAP POSITION.
7. FOR VOLUME CONTROL OR OTHER USE.
8. MANUAL SOLDERING OR DIP SOLDERING.

16mm METAL SHAFT WITH SWITCH SERIES



Model	Outline Drawing	Features / Individual Specification
RV16BF-20(D.P.D.T Switch) (S.P.D.T is also available) 	 <p>Dual Gang(RV16B01F) is also available</p>	 <p>300° rotation mono unit with Push-Pull SW</p>
RV16A04F-20 		 <p>300° rotation mono unit with Rotary switch S.P.S.T.12V DC 1A</p>
RV16A03F-20 		 <p>300° rotation mono unit with Rotary switch S.P.S.T.12V DC 1A</p>

SPECIFICATION

	RV16BF	RV16A04F & RV16A03F
MECHANICAL		
TOTAL ROTATION ANGLE	300°±5°	300°±5°
ROTATION TORQUE	20-200 gf.cm	20-200 gf.cm
SHAFT STOP STRENGTH	6kgf.cm/Min.	6kgf.cm/Min.
SWITCH WORKING ANGLE/STROKE	4mm	50°±10°
SWITCH WORKING TORQUE/FORCE	800gf.cm Max.	50-450gf.cm
SWITCH CIRCUIT	D. P. D. T. S. P. D. T.	S. P. S. T.
ELECTRICAL		
RATED WATTAGE	Linear taper (B) 0.2W other tapers 0.1W	linear taper (B) 0.2W other tapers 0.1W
RATED VOLTAGE	200V	200V
INSULATION RESISTANCE	more than 100MΩ at 500V DC	more than 100MΩ at 500V DC
DIELECTRIC STRENGTH	500V AC, 1 minute	500V AC, 1 minute
SWITCH CONTACT RESISTANCE	less than 20mΩ	less than 50mΩ
SWITCH RATING	30V DC, 0.3A	12V DC, 1A
ROTATION LIFE	15,000 cycles	15,000 cycles
SWITCH LIFE	10,000 cycles	10,000 cycles

For Shaft & Bushing Dimension please refer to page(69)