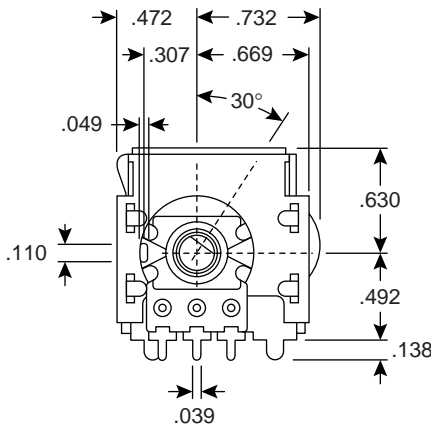
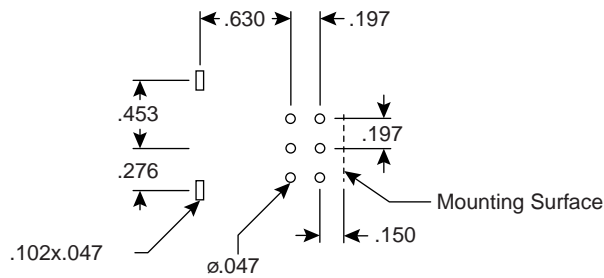


Side View

Dimensions (In.)
(except where noted)



Front View



Mounting Hole Detail

Specifications:

- Type: rotary motor-driven, single shaft dual unit
- Taper: **linear**
- Rotational torque: 100~450gfcM
- Motor voltage: **3~6VDC**
- Rotational speed: 11±3sec./300° @ 4.5VDC
- Maximum operating current: **100mA @ rotation,**
150mA @ end slip
- Rotational life: 15,000 cycles(manual)
- Operating temperature range: -20°~+70°C
- Suitable for volume control applications
- Values: 10K, 50K, 100K

