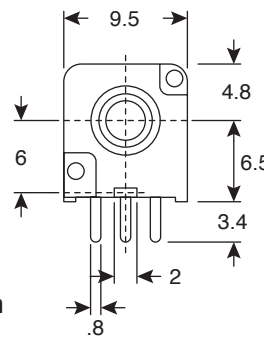
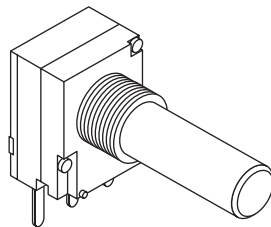
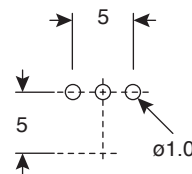
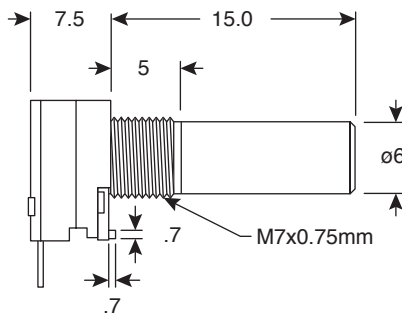




**9mm Potentiometer**  
RD901-20-15R-XXX



Dimensions: mm



**Specifications:**

- Taper: Linear, PC Mount
- Rated Wattage: **0.05W**
- Insulation Resistance: >100MΩ @ 250VDC
- Breakdown Voltage: 300VAC for 1 minute
- Rotation Angle: 300°±5°
- Rotation Torque: 20~250g/cm
- Values: 1K, 5K, 10K, 50K, 100K
- Tolerance: **±20%**
- Rated Voltage: 50VAC

**Tol. Unless Otherwise Stated**

Less Than	10	±0.3
Above	10-30	±0.5
Above	30~100	±1.0
Above	- - -	±5°

XXX	Value	Taper
B13	1K	Linear
<b>B53</b>	<b>5K</b>	<b>Linear</b>
B14	10K	Linear
B54	50K	Linear
B15	100K	Linear