

插入型絕緣/金屬軸式編碼規則

RV 09 A X F - 40 E1 - 20 F X - B 5K - X X XXX
1 2 3 4 5 6 7 8 9 10 11 12 13 14 15

1. Product Line
RV Rotary Potentiometer

2. Model

3. Structure Difference

4. Derivatives

5. RoHS Version
F indicates RoHS Compliance

6. Type of Terminal

Code	Type of Terminal
10	Solder lug
20	PC board (horizontal)
30	PC board (vertical);front
40	PC board (vertical);back

7. Type of Bushing

8. Shaft Length

9. Type of Shaft

10. Axis Angle of F-type Shaft

11. Pattern of Resistance Curve

12. Resistance Value

13. Materials & Methods for Manufacturing Shaft & Bushing

14. Number of Click

Code	Specification
0	None
C	Center Click
D	11 Positions click
E	21 Positions click
F	41 Positions click

15. Serial No.

訂單指定事項：

開立訂單時，用途請依下表記載予以指定製品之規格詳細記載並確認之。

項目：


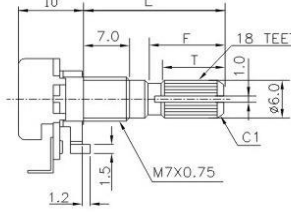
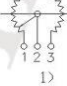

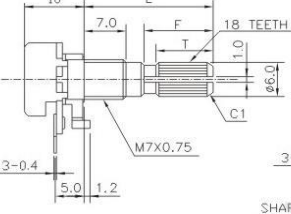


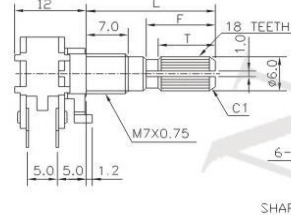
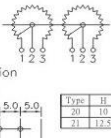

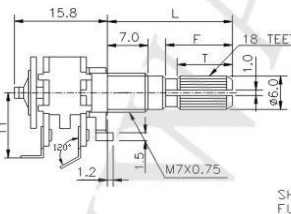
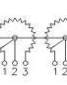

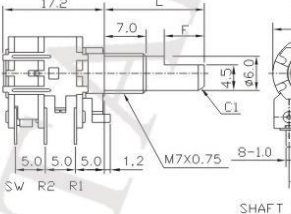
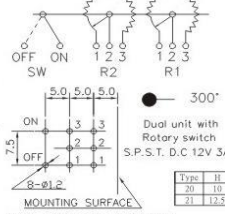
1. 型號。
2. 公稱阻值及線性要求。
3. 軸型及長度。
4. 端子型式。
5. 段點的有無。
6. 中間抽頭的有無。
7. 音量用或其他。
8. 手焊錫或錫爐焊錫。

ORDERING INSTRUCTIONS


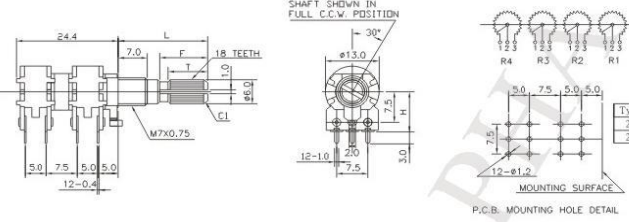
WHEN PLACING YOUR ORDER, PLEASE SPECIFY THE FOLLOWING ITEMS ACCORDING TO YOUR APPLICATION NEEDS. FOR MORE INFORMATION ABOUT OUR PRODUCTS, PLEASE REFER TO THE SPECIFICATION GIVEN ON THE FOLLOWING PAGES.


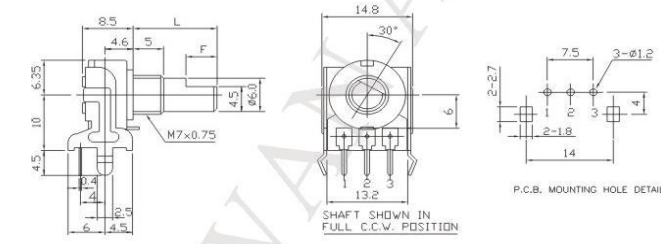

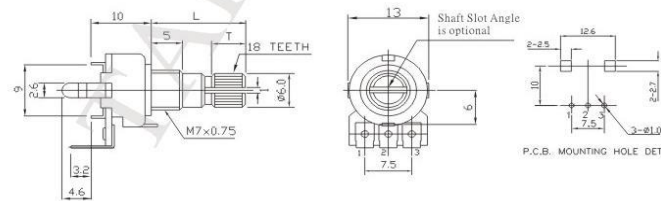
ITEMS :

1. MODEL.
2. NORMAL RESISTANCE VALUE AND TAPER.
3. SHAFT STYLE AND LENGTH.
4. TERMINAL STYLE.
5. WITH CLICK OR WITHOUT CLICK, CLICK POSITION
6. WITH TAP OR WITHOUT TAP, TAP POSITION.
7. FOR VOLUME CONTROL OR OTHER USE.
8. MANUAL SOLDERING OR DIP SOLDERING.

Model	Outline Drawing	Features / Individual Specification
<p>RV120F-10</p> 		<p>300° rotation mono unit</p>  <p>SHAFT SHOWN IN FULL C.C.W. POSITION</p>
<p>RV120F-20 RV120F-21</p> 		<p>300° rotation mono unit</p>  <p>SHAFT SHOWN IN FULL C.C.W. POSITION</p> <p>MOUNTING SURFACE P.C.B. MOUNTING HOLE DETAIL</p>
<p>RV122F-20 RV122F-21</p> 		<p>300° rotation Dual unit</p>  <p>SHAFT SHOWN IN FULL C.C.W. POSITION</p> <p>MOUNTING SURFACE P.C.B. MOUNTING HOLE DETAIL</p>
<p>RV122F-10-XXX-0C</p> 		<p>300° rotation Dual unit</p>  <p>SHAFT SHOWN IN FULL C.C.W. POSITION</p>
<p>RV12GSF-20 RV12GSF-21</p> 		<p>300° Dual unit with Rotary switch S.P.S.T. D.C 12V 3A</p>  <p>SHAFT SHOWN IN FULL C.C.W. POSITION</p> <p>MOUNTING SURFACE P.C.B. MOUNTING HOLE DETAIL</p>

12mm METAL SHAFT SERIES

Model	Outline Drawing	Features / Individual Specification						
RV124F-20 RV124F-21 	 <p>SHAFT SHOWN IN FULL C.C.W. POSITION</p> <p>SHAFT SHOWN IN FULL C.C.W. POSITION</p> <p>SHAFT SHOWN IN FULL C.C.W. POSITION</p> <p>30° rotation Quad unit</p> <p>18 TEETH</p> <p>M7x0.75</p> <p>30°</p> <p>12-0.4</p> <p>5.0 7.5 2.0 5.0</p> <p>24.4 7.0 L F 1.0 46.0</p> <p>12-0.4</p> <p>12-0.4</p> <p>5.0 7.5 5.0 5.0</p> <p>7.4 7.5 2.0 3.0</p> <p>12-0.4</p> <p>P.C.B. MOUNTING HOLE DETAIL</p> <table border="1"> <thead> <tr> <th>Type</th> <th>H</th> </tr> </thead> <tbody> <tr> <td>20</td> <td>10</td> </tr> <tr> <td>21</td> <td>12.5</td> </tr> </tbody> </table>	Type	H	20	10	21	12.5	
Type	H							
20	10							
21	12.5							

Model	Outline Drawing	Features / Individual Specification
RV120DF-20B1-(L)F 	 <p>SHAFT SHOWN IN FULL C.C.W. POSITION</p> <p>SHAFT SHOWN IN FULL C.C.W. POSITION</p> <p>SHAFT SHOWN IN FULL C.C.W. POSITION</p> <p>30°</p> <p>18 TEETH</p> <p>M7x0.75</p> <p>30°</p> <p>12-0.4</p> <p>8.5 4.6 5 L F 4.5 46.0</p> <p>6.35 10 4.5 1.4 2.5 6 4.5</p> <p>14.8</p> <p>13.2</p> <p>7.5 3-01.2</p> <p>2-0.7 1 2 3 4</p> <p>2-1.8 14</p> <p>P.C.B. MOUNTING HOLE DETAIL</p>	
RV120DF-40B1-(L)K 	 <p>SHAFT SHOWN IN FULL C.C.W. POSITION</p> <p>SHAFT SHOWN IN FULL C.C.W. POSITION</p> <p>SHAFT SHOWN IN FULL C.C.W. POSITION</p> <p>30°</p> <p>18 TEETH</p> <p>M7x0.75</p> <p>30°</p> <p>12-0.4</p> <p>10 5 L T 18 TEETH</p> <p>9 2.0 4.6 13.2</p> <p>13</p> <p>Shaft Slot Angle is optional</p> <p>2-2.5 12.6 10 2 3 4</p> <p>2-0.7 7.5 3-01.0</p> <p>P.C.B. MOUNTING HOLE DETAIL</p>	

SPECIFICATION

RV120DF-20B1/40B1

MECHANICAL

ROTATION ANGLE 300° ± 5°
 ROTATION TORQUE 20~150gf.cm
 SHAFT STOP STRENGTH 4kgf.cm/min.
 CLICK TORQUE 50~300gf.cm

ELECTRICAL

RATED WATTAGE

RATED VOLTAGE 150V
 INSULATION RESISTANCE 50MΩ 500V DC
 DIELECTRIC STRENGTH 500V AC minute
 ROTATION LIFE 15,000 cycles

linear taper(B) 0.08W
 other tapers 0.04W 100V

Shaft Material: Metal

Code	Type of terminal
20B1	PC Board (Horizontal Type)
40B1	PC Board (Vertical Type)