

插入型絕緣/金屬軸式編碼規則

RV 09 A X F - 40 E1 - 20 F X - B 5K - X X XXX
1 2 3 4 5 6 7 8 9 10 11 12 13 14 15

1. Product Line
RV Rotary Potentiometer

2. Model

3. Structure Difference

4. Derivatives

5. RoHS Version
F indicates RoHS Compliance

6. Type of Terminal

Code	Type of Terminal
10	Solder lug
20	PC board (horizontal)
30	PC board (vertical);front
40	PC board (vertical);back

7. Type of Bushing

8. Shaft Length

9. Type of Shaft

10. Axis Angle of F-type Shaft

11. Pattern of Resistance Curve

12. Resistance Value

13. Materials & Methods for Manufacturing Shaft & Bushing

14. Number of Click

Code	Specification
0	None
C	Center Click
D	11 Positions click
E	21 Positions click
F	41 Positions click

15. Serial No.

訂單指定事項：

開立訂單時，用途請依下表記載予以指定製品之規格詳細記載並確認之。

項目：

1. 型號。
2. 公稱阻值及線性要求。
3. 軸型及長度。
4. 端子型式。
5. 段點的有無。
6. 中間抽頭的有無。
7. 音量用或其他。
8. 手焊錫或錫爐焊錫。

ORDERING INSTRUCTIONS

WHEN PLACING YOUR ORDER, PLEASE SPECIFY THE FOLLOWING ITEMS ACCORDING TO YOUR APPLICATION NEEDS. FOR MORE INFORMATION ABOUT OUR PRODUCTS, PLEASE REFER TO THE SPECIFICATION GIVEN ON THE FOLLOWING PAGES.

ITEMS：


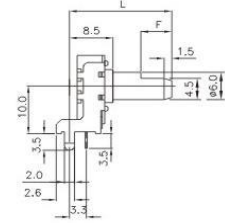
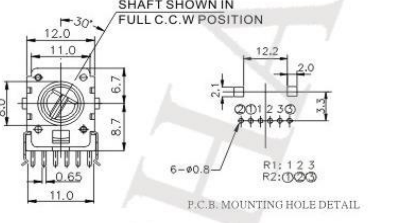

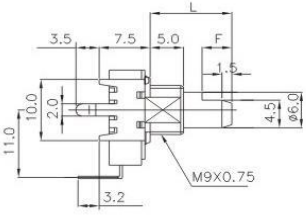
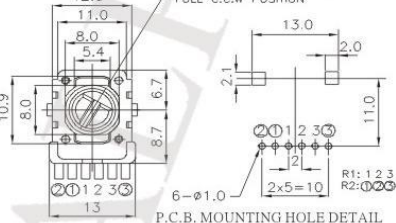

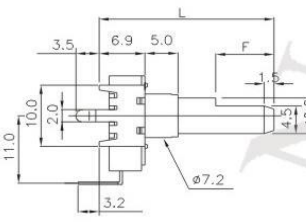
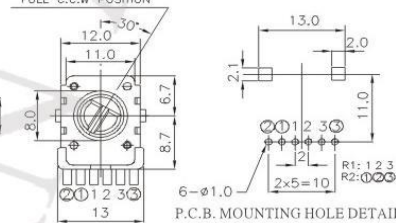

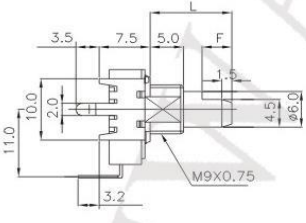
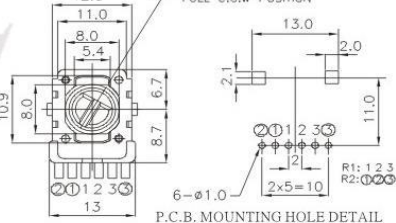

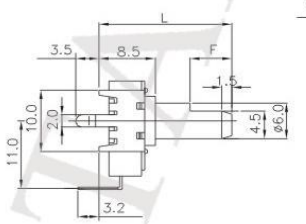
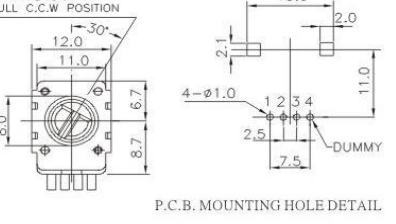
1. MODEL.
2. NORMAL RESISTANCE VALUE AND TAPER.
3. SHAFT STYLE AND LENGTH.
4. TERMINAL STYLE.
5. WITH CLICK OR WITHOUT CLICK, CLICK POSITION
6. WITH TAP OR WITHOUT TAP, TAP POSITION.
7. FOR VOLUME CONTROL OR OTHER USE.
8. MANUAL SOLDERING OR DIP SOLDERING.

嵌入型製品一覽表

型態 Style		型式 Type	軸套 Bushing	製品名 Model	頁次 Page
9型 9mm SIZE	單連 Mono unit	水平型 Horizontal type	—	RV09AF-20 / RV09BF-20	22
		垂直型 Vertical type	—	RV09ACF-40 / RV09BCF-40	
		垂直型 Vertical type	—	RV09BF-40/RV09BCF-40(Clear shaft)	24
		●	RV09BF-40E1(Clear shaft)		
11型 11mm SIZE	單連 Mono unit	水平型 Horizontal type	—	RV110F-20 / RV110F-21	25
			●	RV110F-20E1 / RV110F-21E1	
			—	RV110F-40 / RV110CF-40	
		垂直型 Vertical type	—	RV110F-40E1	28
			●	RV110F-40/RV110CF-40(Clear shaft)	
		●	RV110F-40E1(Clear shaft)		
	雙連 Dual unit	水平型 Horizontal type	—	RV112BF-20	26
			●	RV112BF-20E1	
			—	RV112BF-40 / RV112BCF-40	26
			—	RV112F-40 / RV112CF-40	
垂直型 Vertical type		—	RV112BF-40E1	29	
		—	RV112BF-40/RV112BCF-40(Clear shaft)		
	●	RV112BF-40E1(Clear shaft)			
	●	RV112FF-40B1	30		
12型 12mm SIZE	單連 Mono unit	水平型 Horizontal type	—	RV012AF-20	31
		垂直型 Vertical type	—	RV012AF-40	
		垂直型 Vertical type	—	RV120DF-40	
14型 14mm SIZE	單連 Mono unit	Transparent insulated shaft Vertical type	—	RV141F-40	32
			●	RV141F-40E3	
	雙連 Dual unit	Transparent insulated shaft Vertical type	—	RV142F-40	33
		水平型 Horizontal type	—	RV142◇F-20 / RV142◇F-21	
			●	RV142◇F-20E1 / RV142◇F-21E1	
		垂直型 Vertical type	—	RV142◇F-40/RV142◇CF-40	
		●	RV142◇F-40E1		
	4連 Quad unit	水平型 Horizontal type	—	RV144BF-21	34
		●	RV144BF-21E3		
垂直型 Vertical type		—	RV144BF-40		
		●	RV144BF-40E3		
16型 16mm SIZE	單連 Mono unit	垂直型 Vertical type	—	RV0600DF-43	36
			—	RV06003F-23	
		水平型 Horizontal type	●	RV06002F-23E3	
	雙連 Dual unit	垂直型 Vertical type	●	RV0620DF-46E3	37
			—	RV06203F-25	
			—	RV06203F-26	
		水平型 Horizontal type	●	RV06202F-26E3	

11mm SNAP-IN, INSULATED SHAFT SERIES


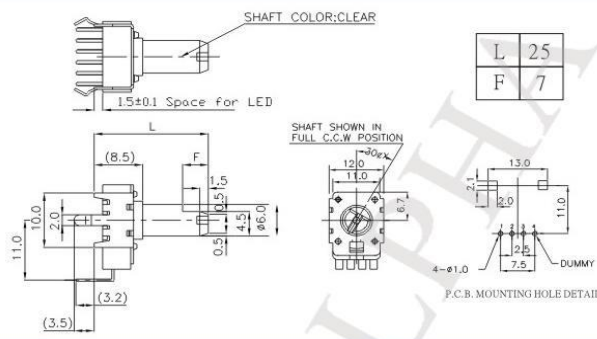

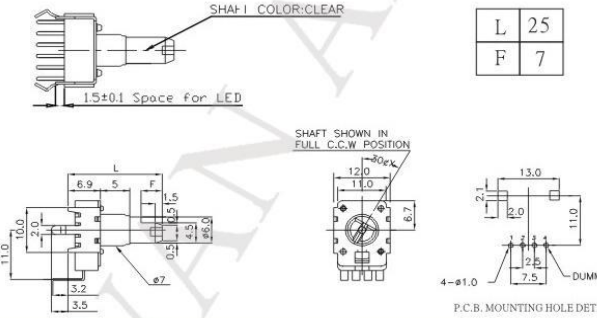

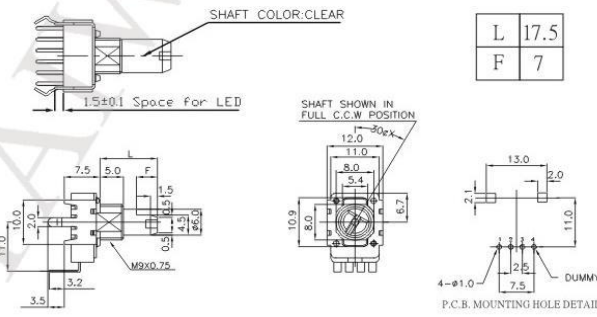


Model	Outline Drawing	Features / Individual Specification
RV112BF-20-(L)A 		 <p>P.C.B. MOUNTING HOLE DETAIL</p>
RV112BF-40E1-(L)A 		 <p>P.C.B. MOUNTING HOLE DETAIL</p>
RV112BCF-40-(L)A 		 <p>P.C.B. MOUNTING HOLE DETAIL</p>
RV112BF-40E1-(L)A-A 塑膠軸套 Plastic Bushing 		 <p>P.C.B. MOUNTING HOLE DETAIL</p>
RV112F-40-(L)A (Dual) 		 <p>P.C.B. MOUNTING HOLE DETAIL</p>





11mm SNAP-IN TRANSPARENT SHAFT SERIES

Model	Outline Drawing	Features / Individual Specification				
RV110F-40-(L)AL  NEW		<table border="1" data-bbox="1161 504 1258 577"> <tr><td>L</td><td>25</td></tr> <tr><td>F</td><td>7</td></tr> </table>	L	25	F	7
L	25					
F	7					
RV110CF-40-(L)AL  NEW		<table border="1" data-bbox="1161 861 1258 934"> <tr><td>L</td><td>25</td></tr> <tr><td>F</td><td>7</td></tr> </table>	L	25	F	7
L	25					
F	7					
RV110F-40E1-(L)AL  NEW		<table border="1" data-bbox="1161 1218 1258 1291"> <tr><td>L</td><td>17.5</td></tr> <tr><td>F</td><td>7</td></tr> </table>	L	17.5	F	7
L	17.5					
F	7					

SPECIFICATION

MECHANICAL		ELECTRICAL	
TOTAL ROTATION ANGLE	RV110F & RV110CF SERIES 300°±5°	RATED WATTAGE	0.05W
ROTATION TORQUE	20~200 gf.cm	RATED VOLTAGE	50V AC
SHAFT STOP STRENGTH	With bushing 5kgf.cm/min Without bushing & plastic bushing 4kgf.cm/min		
ROTATION LIFE	15,000 cycles		
CLICK POSITION	center click		