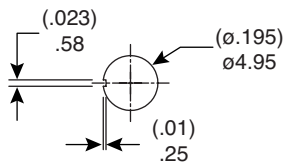
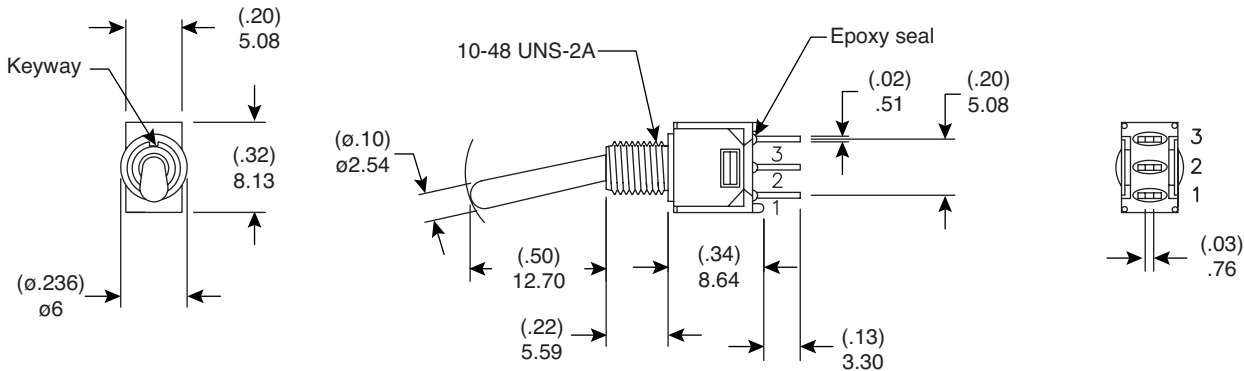
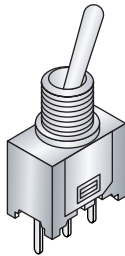
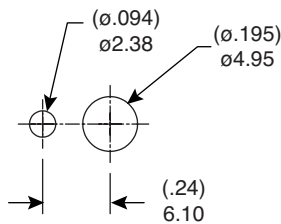


Dimensions: mm (In.)

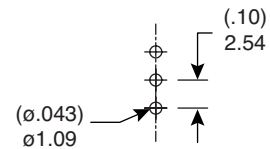


Without locking ring



With standard locking ring

P.C. Mounting



Panel Mounting

Mechanical Specifications:

- Mechanical Life: 30,000 make-and-break cycles
- Operating Temperature: -30°C to 85°C

Electrical Specifications:

- Rating: 1A / 250VAC, 3A / 120 VAC or 28 VDC
- Contact Resistance: 20mΩ max. initial @ 2-4VDC 100mA
- Insulation Resistance: 1,000MΩ min.
- Dielectric Strength: 1,000 V RMS@sea level

Materials:

- Case: Diallyl phthalate (DAP)
- Actuator: Brass, chrome plated
- Bushing: Brass, nickel plated
- Housing: Stainless Steel
- Switch Support: Brass, tin plated
- Terminals/Contact: Brass, with silver or gold plated

Note:

- RoHS compliant by exemption

Stock No.	Type	Circuit
108-0047-EVX	SPST	Off-On
108-0048-EVX	SPDT	On-On

Sub-Miniature Toggle Switches

108-0047-EVX, 108-0048-EVX

