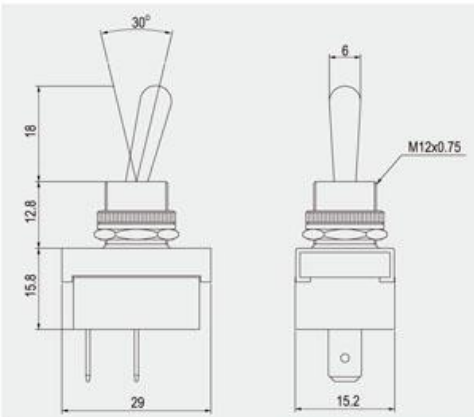


# R13-25



<b>Rating</b>
10A 125V AC 6A 250V AC
<b>Contact resistance</b>
50mΩ Max
<b>Insulation resistance</b>
DC 500V 100MΩ Min
<b>Dielectric strength</b>
AC 1500V 1 minute
<b>Cut-out</b>

## FEATURES

- \* MATERIAL: Metal lever and bushing are nickel plated metal. Frame is metal plated steel. Terminals are silver plated brass. Plastic lever is ABS (UL flame: 94V-2). Base is phenolic.
- \* Indicator plate and waterproof boot (only for lever #2) are optional.



## R13-25

FUNCTION		LEVER	TERMINAL
<b>A</b> <p>2P SPST</p>	<b>E</b> <p>6P DPDT</p>	<b>1</b> Plastic Lever 	<b>0 1</b> .250" SQ <small>For A,C only</small> <b>0 5</b> SO
<b>B</b> <p>6P DPDT</p>	<b>2</b> Metal Lever 		
<b>C</b> <p>3P SPDT</p>			
<b>D</b> <p>3P SPDT</p>			



